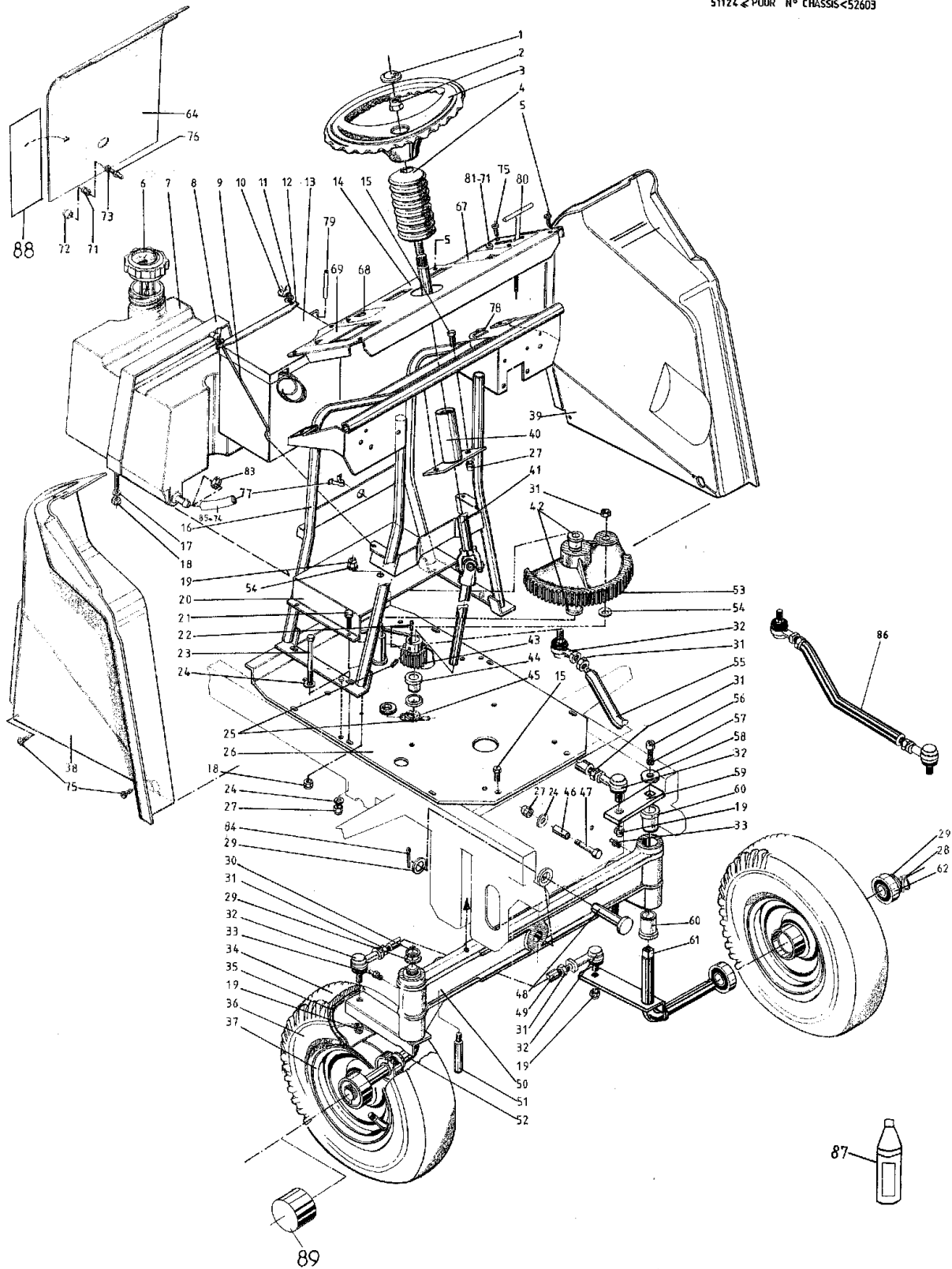


Number	Part Number	Name	Quantity
1	25953	RH SEAT GUIDE	1,000
2	25959	LH SEAT GUIDE	1,000
3	71069	BOLT DIN 603	1,000
4	25956	YOKE	1,000
5	37561	NUT	1,000
8	71201	NUT M6	1,000
10	26658	LH MUDGARD GREEN	1,000
11	25750	ENGINE DECK WHITE	1,000
13	71205	SCREW M8	1,000
14	25957	SEAT HINGE SHAFT	1,000
15	71036	DIN 471 14X1 EXT. C	1,000
17	37997	SCREW HM6-16 8.8	1,000
18	71079	YOKE DIN 71751 6X34	1,000
19	25902	GAZ RAM	1,000
20	25898	LH REMOVABLE INT. C	1,000
21	1557	NUT HM6	1,000
22	25950	SEAT	1,000
23	25954	SEAT SUPPORT PLATE	1,000
24	20693	HEX.SCREW HM6X25	1,000
25	22029	FLAT WASHER 6,5	1,000
26	25958	SEAT SPRING	1,000
27	25778	CENTRAL DECK	1,000
28	25846	RH CENTRE HOOD SWIN	1,000
29	25847	LH CENTRE HOOD SWIN	1,000
30	71111	TAPPING SCREW,DIN 7	1,000
31	25894	LH EXT. CHAIN GUARD	1,000
32	71107	TAPPING SCREW,DIN 7	1,000
34	26653	HOOD SUPPORT TUBE	1,000
35	25884	LH STEP COVERING	1,000
36	26666	L. STEP GREEN	1,000
37	26659	RH MUDGARD GREEN	1,000
38	25837	PLUG	1,000
39	25559	GEAR LEVER GUIDE	1,000
40	25825	PRE-INSULATED SPADE	1,000
41	25893	RH EXT. CHAIN GUARD	1,000
42	25897	RH REMOVABLE INT. C	1,000
43	71108	RECESSED HEAD SCREW	1,000
44	25887	STEP SPACER	1,000
46	5399	BOLT M5X40	1,000
47	26663	RH STEP GREEN	1,000
48	6178	CLIP NUT	1,000

Number	Part Number	Name	Quantity
50	25883	RH STEP COVERING	1,000
51	71113	NAIL RIVET, DIA. 4X	1,000
52	7335	WASHER	1,000
53	71413	SCREW HM 8-20	1,000
54	25752	LOWER ENGINE COV.WH	1,000
55	25851	ENGINE HOOD GRILLE	1,000
56	71112	DIA.4X18 STAR RIVET	1,000
57	12006	PARKING BRAKE STICK	1,000
58	12005	CUTTING HEIGHT STIC	1,000
59	12048	STICKER 26*4	1,000
60	12045	MBE REF.STICKER	1,000
61	12046	MKE REF. STICKER	1,000
62	12038	LH STRIPE STICKER	1,000
63	12039	RH STRIPE STICKER	1,000
64	25753	CLAMP	1,000
65	25849	LH MOUNTING BRACKET	1,000
66	25903	ENGINE HOOD SPRING	1,000
67	25879	SELF-ADHESIVE WASHE	1,000
68	25885	HEADLIGHT CASING	1,000
70	25163	CENTRE HOOD BRACE	1,000
71	25945	RUBBER STRIP 40MM	1,000
72	25946	-> 25945	1,000
73	25754	STRAINER HOOK	1,000
74	71139	RIVET ALU TF 4X11	1,000
75	71114	ALUMINUM NAIL RIVET	1,000
76	25961	SEAT CONTACT	1,000
77	13064	STICKER COLER OPEN	1,000
78	71241	NAIL RIVET 4,8X10,5	1,000
79	12047	STICKER ETESIA	1,000
80	25480	GREEN COLOUR STICK	1,000
81	25965	COLOR SPRAY GREEN	1,000
82	25966	COLOR SPRAY WHITE	1,000

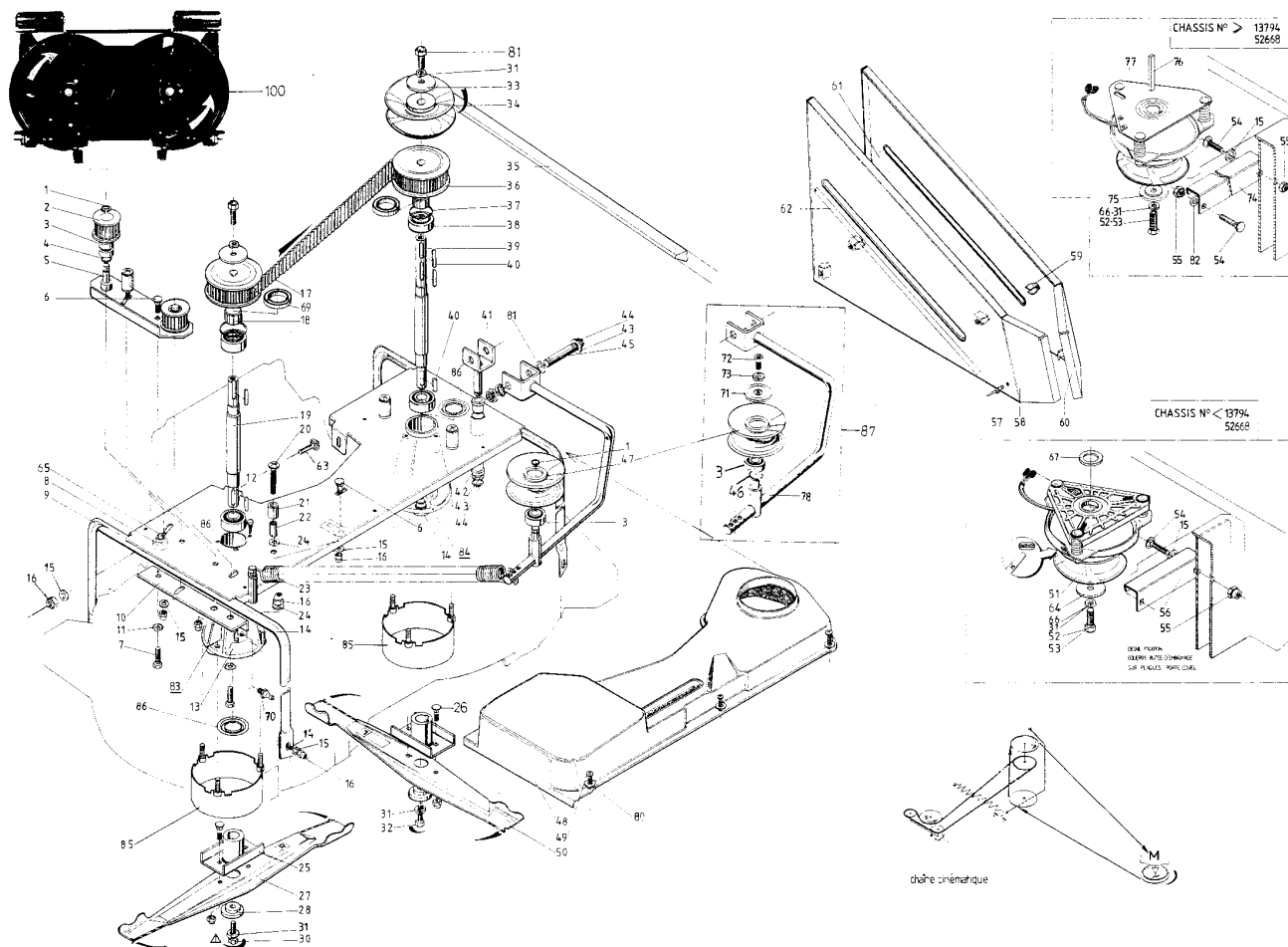
PLANCHE NUMERO 2

POUR N° CHASSIS < 13727
51124 < POUR N° CHASSIS < 52603



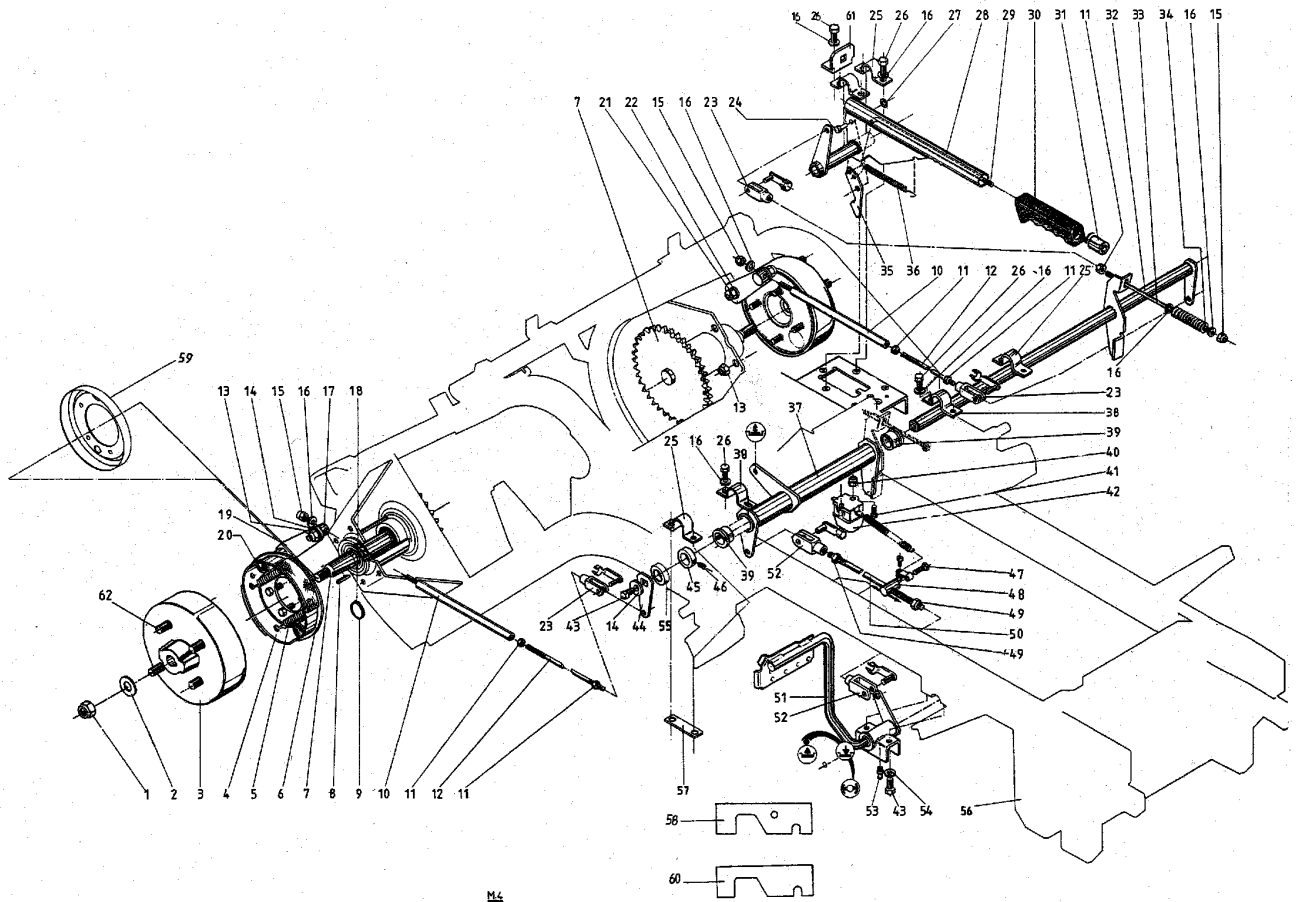
Number	Part Number	Name	Quantity
1	25330	BADGE - ETESIA	1,000
2	71063	SELF-LOCKING NUT DI	1,000
3	25324	->28725+29978+25330	1,000
4	25329	PCV BELLOWS	1,000
5	71111	TAPPING SCREW,DIN 7	1,000
6	25261	PETROL GAUGE	1,000
7	25260	PETROL TANK	1,000
8	26301	PETROL TANK CLAMP	1,000
9	25844	BATTERY CLAMP ROD	1,000
10	71029	WING NUT,DIN 315 M4	1,000
11	7094	FLAT WASHER	1,000
12	25845	BATTERY ANGLE BRACK	1,000
13	25800	-> 100217	1,000
14	25865	DASHBOARD	1,000
15	71413	SCREW HM 8-20	1,000
16	26652	BRACKET CPLT	1,000
17	22029	FLAT WASHER 6,5	1,000
18	71201	NUT M6	1,000
19	9017	NUT HM10	1,000
20	25347	PETROL TANK SUPPORT	1,000
21	37997	SCREW HM6-16 8.8	1,000
22	71102	C SHAPE KEY,NFE 276	1,000
23	71068	HEXAGON SCREW,DIN 9	1,000
24	7335	WASHER	1,000
25	5353	SCREW	1,000
26	26255	ENGINE BASE PLATE,	1,000
27	71205	SCREW M8	1,000
28	71005	SAFETY PIN,DIN 1102	1,000
29	71002	FLAT WASHER,DIN 125	1,000
31	71091	NUT,NFE 27411 Hm M1	1,000
32	25314	STEERING KNUCKLE,LH	1,000
33	25301	RH STD "HYDRAULIC"	1,000
34	25370	15"X6,00 FRONT TYRE	1,000
35	25372	FRONT TYRE INNER TU	1,000
36	25379	->25385+25370+25372	1,000
37	25381	FR.WHEEL WHITE	1,000
38	25855	RH SIDE HOODING	1,000
39	25856	LH SIDE HOODING	1,000
40	25326	STEERING COLUMN GUI	1,000
41	25321	STEERING COLUMN	1,000
42	25336	RING C20/26X16	1,000

Number	Part Number	Name	Quantity
43	25320	STEERING PINION	1,000
44	25327	SELF-LUBRIC.RING C1	1,000
45	25328	LOWER COMPENSATION	1,000
46	25304	SPACER	1,000
47	21687	HEXAGON SCREW,DIN 9	1,000
48	25302	ARTICULATED SHAFT	1,000
49	25316	STUB AXLE ROD	1,000
50	26955	VARNISHED FRONT AXL	1,000
51	25312	WHEEL THRUST SHAFT	1,000
52	26353	RH STUB AXLE	1,000
53	25317	DRIVE CROWN GEAR	1,000
54	21036	FLAT WASHER 10.5	1,000
55	26954	STEERING ROD,GALVAN	1,000
56	71090	-> 35735	1,000
57	71343	SPRING WASHER A8	1,000
58	7035	FLAT WASHER	1,000
59	26957	STEERING LUD	1,000
60	25305	SELF-LUBRIC.RING C2	1,000
61	26352	LH STUB AXLE	1,000
62	25616	BEARING	1,000
64	25896	SHEET METAL BATTERY	1,000
67	12002	ACCELERATOR STICKER	1,000
68	12003	IGNITION KEY STICKE	1,000
69	12007	BLADE CLUTCH STICKE	1,000
71	37561	NUT	1,000
72	25900	PROTECTIVE COWL	1,000
73	71200	SCREW M5	1,000
74	30281	FUEL HOSE 1400 MM	1,000
76	25984	6299 "RAPID" STUD	1,000
77	25983	C4434-4 "RAPID" FAS	1,000
78	6178	CLIP NUT	1,000
79	25802	-> 28329	1,000
80	37821	THROTTLE KIT	1,000
81	37996	SCREW HM5-16 8.8	1,000
83	25563	PISTON 19MM	1,000
84	71101	COTTER PIN,DIN 94 S	1,000
86	26355	STEERING KIT	1,000
87	28461	TYRES LIQUID SEAL	1,000
88	13021	STICKER	1,000
89	25176	WHEEL CAP	1,000



Number	Part Number	Name	Quantity
1	71047	CIRCLIP DIN 471 15X	1,000
2	25110	CORRUGATED STRETCHER	1,000
3	25112	BALL BEARING,6202 S	1,000
4	71039	CIRCLIP,DIN 427 35X	1,000
5	26150	BELT TIGHTENER (too	1,000
6	9071	SCREW M8X20	1,000
7	9056	BOLT 8X25	1,000
8	25131	BELT TIGHTENER WASH	1,000
9	26151	TRANSMISSION BASE P	1,000
10	25128	BELT TIGHTENER REIN	1,000
11	71343	SPRING WASHER A8	1,000
12	5498	TAPTITE BOLT M6X16	1,000
13	52608	BLADE BEARING 1M	1,000
14	5041	BOLT 8X30	1,000
15	7335	WASHER	1,000
16	71205	SCREW M8	1,000
17	25111	TOOTHED BELT TP 17	1,000
18	25129	TRANSMISSION SPACER	1,000
19	25103	RH BLADE SHAFT	1,000
20	71170	BELT M8 X 60	1,000
21	25102	NYLON ROLLER	1,000
22	25107	ROLLSLEEVE	1,000
23	25124	TENSION SPRING	1,000
24	7035	FLAT WASHER	1,000
25	26155	BLADE CLUTCH	1,000
26	26357	100 SHEAR BOLTS	1,000
27	MZ102D	RIGHT BLADE H100	1,000
28	25132	BLADE WASHER	1,000
30	71031	LH HEXAG.SCREW,DIN	1,000
31	71052	SPRING WASHER,DIN 1	1,000
32	71242	HEX.SCREW HM10X35	1,000
33	7341	FLAT WASHER 10,3X49	1,000
34	25108	V-BELT PULLEY	1,000
35	25115	V-BELT	1,000
36	25109	TOOTHED BELT PULLEY	1,000
37	71037	CIRCLIP, DIN 472 52	1,000
38	25475	SEALED BALL BEARING	1,000
39	25104	LH BLADE SHAFT	1,000
40	71006	A-SHAPE KEY,DIN 688	1,000
41	26153	TIGHTENER YOKE KIT	1,000
42	25512	SELF-LUBRIC.RING C1	1,000

Number	Part Number	Name	Quantity
43	71034	FLAT WASHER NFE 276	1,000
44	71036	DIN 471 14X1 EXT. C	1,000
45	25126	BELT TIGHTENER ARM	1,000
47	26156	BELT TIGHTENER PULL	1,000
48	25880	BLADE DRIVE COVER	1,000
49	71111	TAPPING SCREW,DIN 7	1,000
50	MZ102G	LEFT BLADE H100	1,000
51	25054	-> 32013	1,000
52	71026	BRIGGS SCREW H DIA.	1,000
53	71064	-> 71032	1,000
54	71042	NECK BOLT,DIN 603-8	1,000
55	71201	NUT M6	1,000
56	25051	CLUTCH THRUST BRACK	1,000
57	71114	ALUMINUM NAIL RIVET	1,000
58	25881	RH FRAME COVER	1,000
59	25886	17/20 CUP	1,000
60	25882	LH FRAME COVER	1,000
61	12041	LH STRIPE STICKER	1,000
62	12042	RH STRIPE STICKER	1,000
64	25284	ENGINE WASHER 12,5X	1,000
65	7038	SCREW,DIN933 H M 8X	1,000
66	71159	WASHER 7/16"	1,000
67	25538	CLUTCH WASHER	1,000
69	25106	SEAL 30X52X7	1,000
70	25301	RH STD "HYDRAULIC"	1,000
71	25117	PLUG T. ARM	1,000
72	5020	CHC M6X10 SCREW	1,000
73	71049	SPRING WASHER,DIN 1	1,000
74	25053	E. CLUTCH ANGLE	1,000
75	25288	ENG. WASHER	1,000
76	71192	KEY	1,000
78	26152	TENSIONING ARM WELD	1,000
80	7094	FLAT WASHER	1,000
81	71110	HEXAGON SCREW,DIN 9	1,000
82	22029	FLAT WASHER 6,5	1,000
83	26106	R. BEARING CPLT	1,000
84	26107	L. BEARING CPLT	1,000
85	26030	BLADE ASSY COLLAR	1,000
86	25143	"NILOS" RING	1,000
87	26154	BELT TIGHT.ARM KIT	1,000
100	26945	CUTTING DECK MH230	1,000

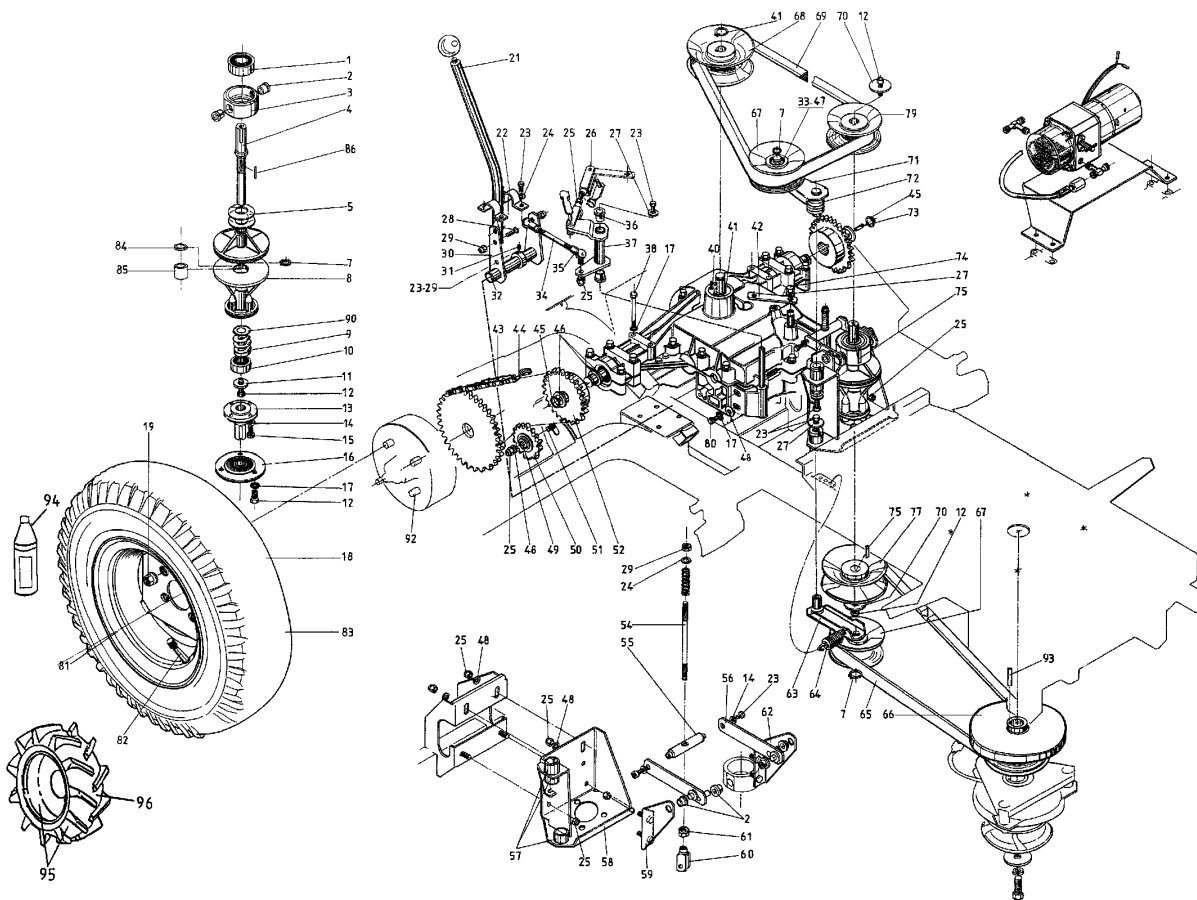


Number	Part Number	Name	Quantity
1	71053	HEXAG.NUT,DIN 985-8	1,000
2	71034	FLAT WASHER NFE 276	1,000
3	25734	BRAKE DRUM	1,000
4	25735	BRAKE SHOE	1,000
5	25736	SPRING	1,000
6	25737	PLATFORM	1,000
7	26510	WHEEL SHAFT ASSY, C	1,000
8	71102	C SHAPE KEY,NFE 276	1,000
9	71038	CIRCLIP,DIN 471 25X	1,000
10	25714	REAR BRAKE ADJUSTME	1,000
11	1557	NUT HM6	1,000
12	25708	REAR BRAKE ROD	1,000
13	71205	SCREW M8	1,000
14	7035	FLAT WASHER	1,000
15	71201	NUT M6	1,000
16	2235	WASHER A6.4	1,000
17	25738	TRUNNION	1,000
18	25475	SEALED BALL BEARING	1,000
19	25739	FLAT BRAKE ROD	1,000
20	25740	ECCENTRIC BRAKE SHA	1,000
21	71343	SPRING WASHER A8	1,000
22	21036	FLAT WASHER 10.5	1,000
23	71079	YOKE DIN 71751 6X34	1,000
24	71041	A TYPE SHAFT,DIN 14	1,000
25	25711	STRAP	1,000
26	37997	SCREW HM6-16 8.8	1,000
27	7377	TRUARC COLLAR DIN 7	1,000
28	26560	PARKING BRAKE LEVER	1,000
29	25729	PARKING BRAKE ROD	1,000
30	25421	GRIP	1,000
31	25429	PARKING BRAKE RELEA	1,000
32	26550	INTERMEDIATE SHAFT	1,000
33	25724	PARKING BRAKE LEVER	1,000
34	25723	PARKING BRAKE SPRIN	1,000
35	25727	HOOK	1,000
36	25422	RATCHET PULL-BACK S	1,000
37	26552	QUILL, COMPLETE	1,000
38	25732	ADJUSTABLE STRAP	1,000
39	25416	SLEEVE PA 66 26/20X	1,000
40	21525	NUT HM4	1,000
41	71115	RECESSED HEAD SCREW	1,000

Number	Part Number	Name	Quantity
42	25829	CLUTCH CONTACTOR	1,000
43	71413	SCREW HM 8-20	1,000
44	25726	RH SIDE ROD	1,000
45	25728	BRAKE THRUST WASHER	1,000
46	71355	HEX.SCREW M6X10	1,000
47	20693	HEX.SCREW HM6X25	1,000
48	25721	CONTACTOR CONNECTOR	1,000
49	2020	NUT HM8	1,000
50	25706	FRONT BRAKE ROD	1,000
51	26555	BRAKE PEDAL	1,000
52	71077	YOKE DIN 71751 8X32	1,000
53	25301	RH STD "HYDRAULIC"	1,000
55	25731	AXIAL STROP	1,000
56	26250	FRAME	1,000
57	25715	SETTING SHIM	1,000
58	25976	BRAKE WEDGE	1,000
59	25730	BRAKE SHEET PROTECT	1,000
60	25975	CLUTCH WEDGE	1,000
61	26563	HAND BRAKE ANGLE	1,000
62	25741	STUD	1,000

Number	Part Number	Name	Quantity
1	71014	SPIRAL PIN,DIN 1481	1,000
2	25425	COMPENSATION SPRING	1,000
3	71013	SPIRAL PIN,DIN 1481	1,000
4	25416	SLEEVE PA 66 26/20X	1,000
5	26450	RH LIFTING ROD ASSY	1,000
6	26454	REAR TIE ROD	1,000
7	71101	COTTER PIN,DIN 94 S	1,000
8	71034	FLAT WASHER NFE 276	1,000
9	26453	RH LIFTING LUG ASSY	1,000
10	25403	REAR ROD	1,000
11	1541	HEXAGON NUT,DIN 934	1,000
12	25406	ADJUSTMENT BOLT	1,000
13	71005	SAFETY PIN,DIN 1102	1,000
14	71205	SCREW M8	1,000
15	25004	LOWER REINFORCING S	1,000
16	7335	WASHER	1,000
17	25432	LIFTING RING	1,000
18	9057	SQUARE BOLT,DIN 603	1,000
19	7341	FLAT WASHER 10,3X49	1,000
20	25017	REAR ROLLER	1,000
21	71032	KAWA SCREW H M10X75	1,000
22	25014	REAR WHEEL SPACERS	1,000
23	9017	NUT HM10	1,000
24	5347	SCREW 8X25	1,000
25	53095	AXLE	1,000
26	71041	A TYPE SHAFT,DIN 14	1,000
27	26456	CUTTING HEIGHT LEVE	1,000
28	7377	TRUARC COLLAR DIN 7	1,000
29	25422	RATCHET PULL-BACK S	1,000
30	25419	RATCHET	1,000
31	25420	PLATE HDC	1,000
32	26452	LH LIFTING LUG ASSY	1,000
33	26100	RH FRONT SUPPORT AS	1,000
34	25015	FRONT ROLLER	1,000
35	26457	GRADATED INDICATOR	1,000
36	71355	HEX.SCREW M6X10	1,000
37	26451	COUNTER SHAFT	1,000
38	71413	SCREW HM 8-20	1,000
39	25729	PARKING BRAKE ROD	1,000
40	25429	PARKING BRAKE RELEA	1,000
41	25421	GRIP	1,000

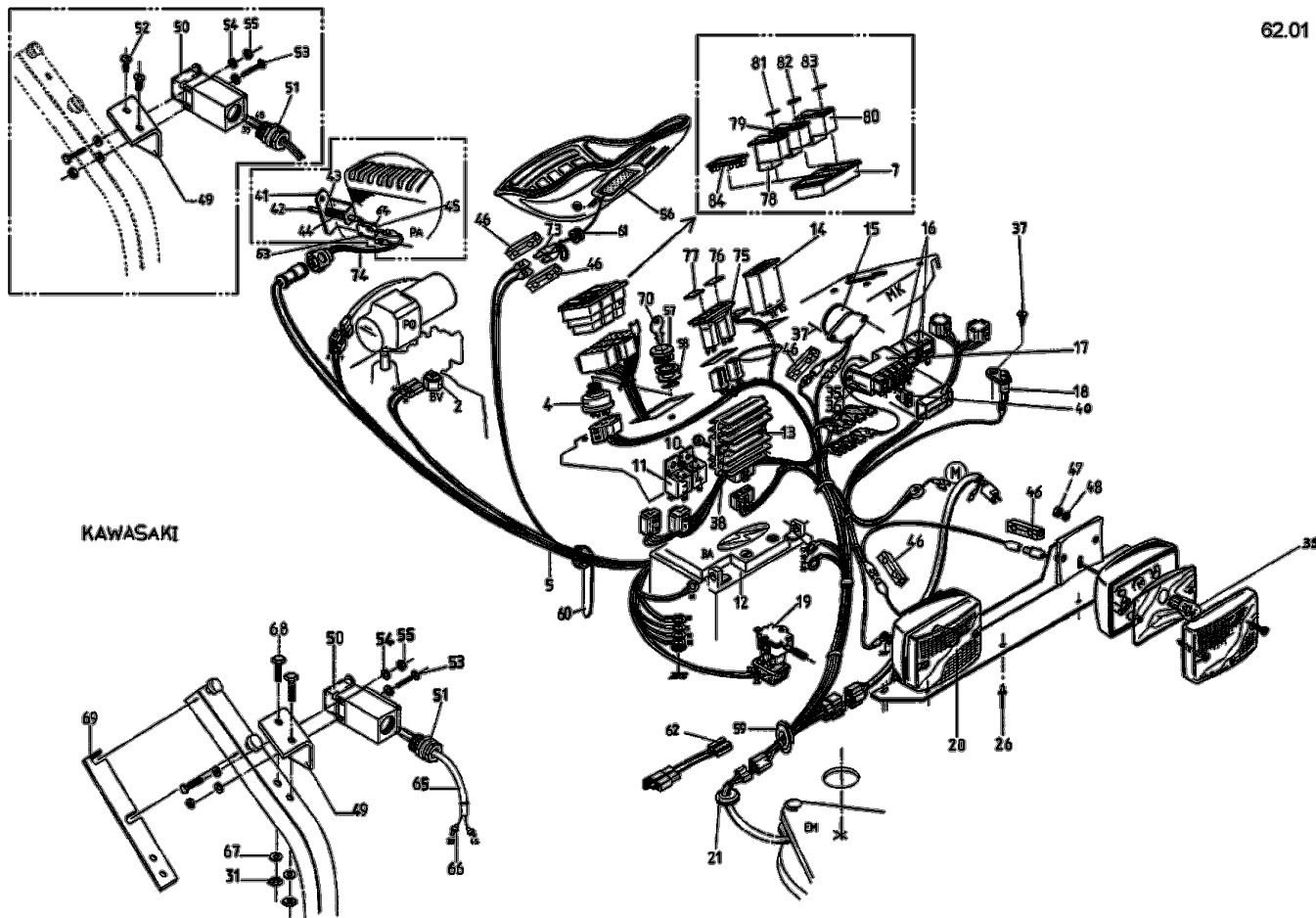
Number	Part Number	Name	Quantity
43	26101	LH FRONT SUPPORT AS	1,000
44	26455	-> 53822	1,000
45	25010	RUBBER STOP	1,000
46	71201	NUT M6	1,000
47	21687	HEXAGON SCREW,DIN 9	1,000
48	26801	BAG HOOP ASSY, COMP	1,000
49	26800	LH HOOP SUPPORT ASS	1,000
50	26799	RH HOOP SUPPORT ASS	1,000
51	71111	TAPPING SCREW,DIN 7	1,000
52	71103	UNC M DIA. 1/4" SCR	1,000
53	26015	STOP ROD	1,000
54	71035	FLAT WASHER NFE 276	1,000
55	13062	STICKER CUT-DECK	1,000
56	26950	CUTTING DECK	1,000
57	12081	STICKER	1,000
58	25018	FRONT CROSS BAR	1,000
59	9071	SCREW M8X20	1,000
61	26802	BAG HOOP R.	1,000
65	25024	LH DECK PROTECTION	1,000
66	25023	RH DECK PROTECTION	1,000
67	5211	VIS CRU. M6 X 30	1,000
71	26833	DECK PROTECTION KIT	1,000
100	26945	CUTTING DECK MH230	1,000
101	25019	-> 28762 + 39084	1,000



Number	Part Number	Name	Quantity
1	25616	BEARING	1,000
2	25615	SELF-LUBRIC.RING C1	1,000
3	25614	CLUTCH THRUST RING	1,000
4	25611	OUTPUT SHAFT	1,000
5	71015	SPRING WASHER 45X22	1,000
7	71047	CIRCLIP DIN 471 15X	1,000
8	25601	PRIMARY CLUTCH DISC	1,000
9	25613	CLUTCH SPRING (COMP	1,000
10	25606	TAPERED CONTACT BEA	1,000
11	71126	FLAT WASHER,DIN 734	1,000
12	71256	SCREW M8X20,12.9	1,000
13	25600	INPUT SHAFT	1,000
14	71049	SPRING WASHER,DIN 1	1,000
15	71044	CAP SCREW,DIN 912-8	1,000
16	52749	BALL BEARING STEEL	1,000
17	71343	SPRING WASHER A8	1,000
18	25380	REAR WHEEL CPLT	1,000
19	71055	NUT NFE 27458 M12X1	1,000
21	25551	GEAR SHIFT LEVER	1,000
22	25711	STRAP	1,000
23	37997	SCREW HM6-16 8.8	1,000
24	2235	WASHER A6.4	1,000
25	71205	SCREW M8	1,000
26	71077	YOKE DIN 71751 8X32	1,000
27	22029	FLAT WASHER 6,5	1,000
28	71108	RECESSED HEAD SCREW	1,000
29	71201	NUT M6	1,000
30	25552	GEAR BOX CONTROL SP	1,000
31	71355	HEX.SCREW M6X10	1,000
32	26514	GEAR BOX CONTROL SH	1,000
33	71039	CIRCLIP,DIN 427 35X	1,000
34	25555	PRIMARY CONTROL ROD	1,000
35	25554	DIN 71802 AS 13 SWI	1,000
36	25564	12X16X10 PLASTIC RI	1,000
37	25416	SLEEVE PA 66 26/20X	1,000
38	20513	SCREW,DIN 933 H M 8	1,000
40	71009	DISK KEY 4. 76X19.0	1,000
41	71046	3/4" EXT. CIRCLIP	1,000
42	25556	GEAR BOX CONTROL LU	1,000
43	25500	99 LINK CHAIN	1,000
44	25501	QUICK-CONNECT CHAIN	1,000

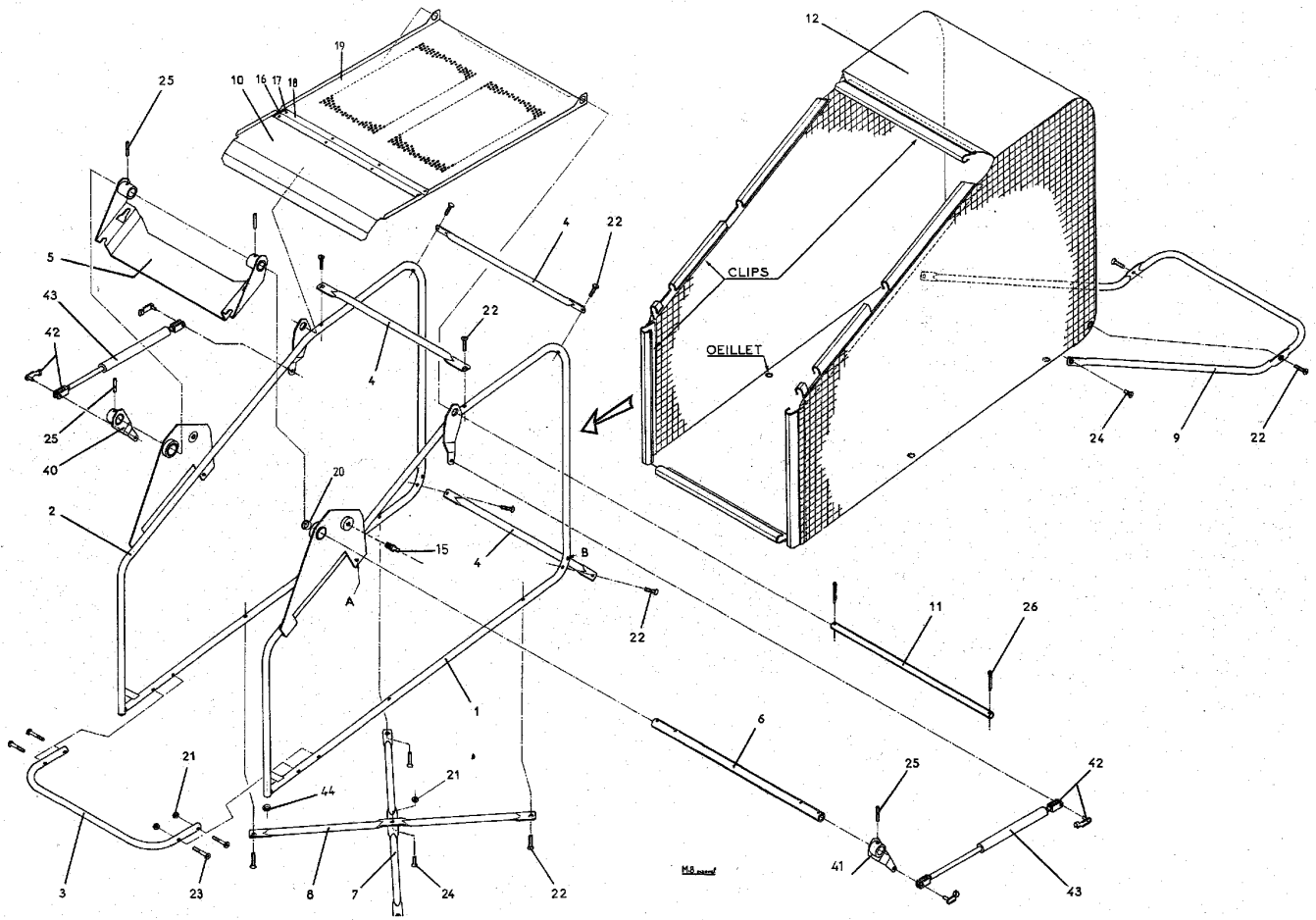
Number	Part Number	Name	Quantity
45	71045	EXT.CIRCLIP,DIN 471	1,000
46	25521	EXT. OUTPUT SHAFT S	1,000
47	25112	BALL BEARING,6202 S	1,000
48	7335	WASHER	1,000
49	25503	CHAIN ADJUSTMENT SH	1,000
50	25504	BEARING-MOUNTED SPR	1,000
51	9057	SQUARE BOLT,DIN 603	1,000
52	25505	OUTPUT SHAFT GEARED	1,000
54	25520	CLUTCH ROD	1,000
55	25525	FORK SPACER	1,000
56	26515	CLUTCH FORK, COMPLE	1,000
57	5455	SELF-LUBRIC.RING C1	1,000
58	26513	CLUTCH SUPPORT, COM	1,000
59	26517	RH FORK SUPPORT, CO	1,000
60	71079	YOKE DIN 71751 6X34	1,000
61	1557	NUT HM6	1,000
62	26518	LH FORK SUPPORT, CO	1,000
63	26512	SPA LOWER BELT TIGH	1,000
64	25514	TENSIONING SPRING (1,000
65	25528	SPA 1367 V-BELT	1,000
66	25529	ENGINE OUTPUT PULLE	1,000
67	25509	TENSIONING PULLEY	1,000
68	25507	SPA INPUT SHAFT PUL	1,000
69	25508	SPA 925 V-BELT	1,000
70	20021	WASHER 8,5X40X4	1,000
71	26511	SPA UPPER BELT TIGH	1,000
72	25511	UPPER BELT TIGHTENE	1,000
73	71007	B-SHAPE KEY 6.35X6.	1,000
74	71105	BOLT,DIA. 1/4" 28 U	1,000
75	71008	B-SHAPE KEY,DIN 688	1,000
77	25527	CLUTCH INPUT PULLEY	1,000
79	25526	CLUTCH OUTPUT PULLE	1,000
80	71150	SCREW TAPT M8X15 TH	1,000
81	25382	REAR WHEEL RIM WHIT	1,000
82	25375	REAR TYRE INNER TUB	1,000
83	25373	20"X8" REAR TYRE	1,000
84	25617	MSIL SEAL RING	1,000
85	5423	SELF-LUBRIC.RING 15	1,000
86	20602	KEY 5X5X25	1,000
90	25620	CLUTCH WASHER	1,000
92	25741	STUD	1,000

Number	Part Number	Name	Quantity
93	71192	KEY	1,000
94	28461	TYRES LIQUID SEAL	1,000
95	MA100	AGRARIANWHEELS	1,000
96	25978	RIBBED TIRES	1,000

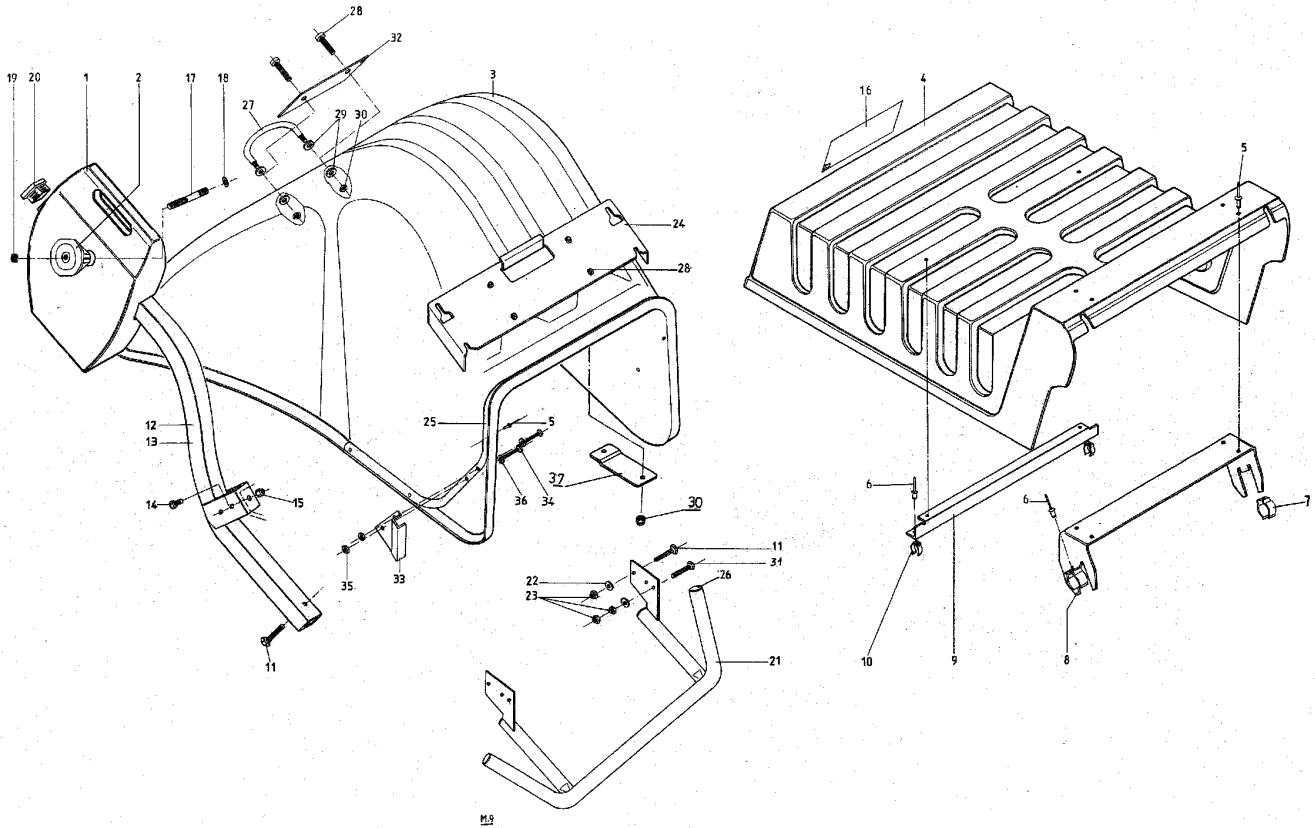


Number	Part Number	Name	Quantity
1	26630	KIT GRASSBOX CONTAC	1,000
2	25823	NEUTRAL GEAR CONTAC	1,000
4	25801	KEY-OPERATED CONTAC	1,000
5	25805	KAWA WIRING HARNESS	1,000
7	25816	MOUNTING FRAME	1,000
10	25811	12V RELAY	1,000
11	25819	12V REVERSING RELAY	1,000
12	25800	-> 100217	1,000
13	15729	VOLTAGE REGULATOR	1,000
14	25820	TYPE 235 12V HOUR C	1,000
15	25813	12V BUZZER	1,000
16	25807	12V OIL CHANGE REVE	1,000
17	25803	PLUG FUSE HOLDER	1,000
18	21138	PARKING BRAKE CONTA	1,000
19	25829	CLUTCH CONTACTOR	1,000
20	25582	HEADLIGHT	1,000
21	25818	RUBBER FUNNEL 22	1,000
26	71112	DIA.4X18 STAR RIVET	1,000
31	71201	NUT M6	1,000
35	37996	SCREW HM5-16 8.8	1,000
36	37561	NUT	1,000
37	71111	TAPPING SCREW,DIN 7	1,000
38	20693	HEX.SCREW HM6X25	1,000
39	25815	LIGHT BULB 21 W	1,000
40	25828	FUSE 25A 12V	1,000
41	25830	CONTACTOR MOUNTING	1,000
42	25831	CONTACTOR PUSH BUTT	1,000
43	5602	ANNEAU TRUARC	1,000
44	25832	CONTACTOR SPRING	1,000
45	25821	GRASSBOX CONTACTOR	1,000
46	25575	PROTECTION	1,000
47	71200	SCREW M5	1,000
49	26016	BOX SWITCH SUP.	1,000
50	27114	BAG CONTACTOR	1,000
51	29789	CONTACTOR GROMMET	1,000
52	37997	SCREW HM6-16 8.8	1,000
53	71152	BOLT 4X40 HM	1,000
54	71024	WASHER PL A 4,3	1,000
55	21525	NUT HM4	1,000
56	25961	SEAT CONTACT	1,000
57	25785	EMBELIS.KEY CONT.BS	1,000

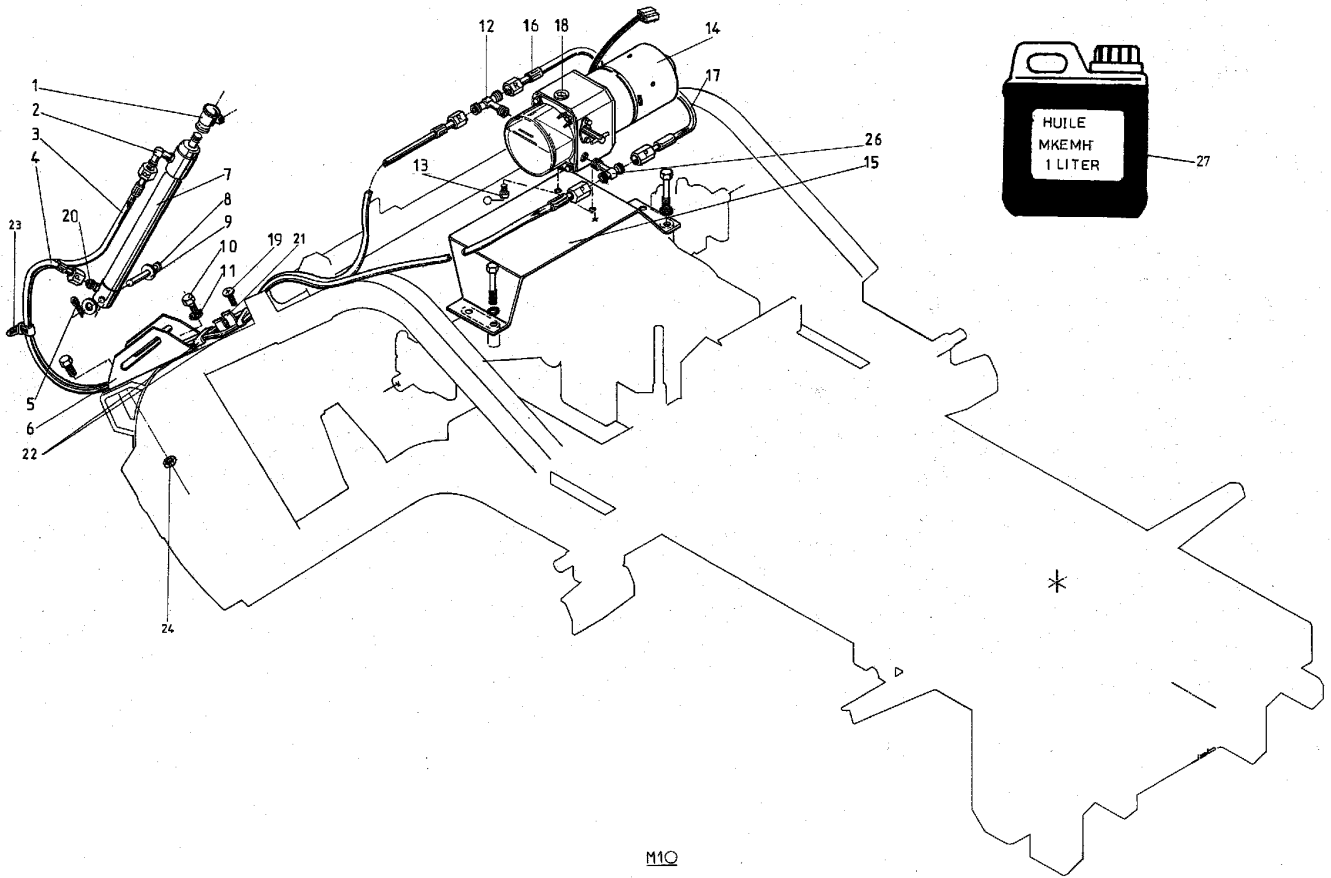
Number	Part Number	Name	Quantity
58	25780	SWITCH WASHER	1,000
59	25804	RUBBER FUNNEL 28	1,000
60	21119	COLLAR 260 MM	1,000
61	7915	RING	1,000
62	25097	CLUTCH FLEX	1,000
63	21141	BOLT HM3X16	1,000
64	71012	NUT AUTO.HM3	1,000
65	25791	2 WIRE CABLE 0,4MM	1,000
66	25825	PRE-INSULATED SPADE	1,000
67	22029	FLAT WASHER 6,5	1,000
68	22456	SCREW HM 6X40	1,000
69	27134	DRILLING JIG	1,000
70	28388	SET OF 2 KEY	1,000
74	25967	WATERLIGHT CONNECTO	1,000
75	25775	DOUBLE RELAY LAN	1,000
76	25787	INSERT PARK BRAKE	1,000
77	25788	INSERT BATTERY	1,000
78	25746	REVERSING SWITCH	1,000
79	25748	LIGHT SWITCH	1,000
80	25747	BLADE SWITCH MECA	1,000
81	25790	INSERT ARROW	1,000
82	25789	INSERT LIGHTS	1,000
83	25786	INSERT BLADE	1,000
84	25817	COVER	1,000



Number	Part Number	Name	Quantity
1	26805	LH BAG SIDE-FRAME,	1,000
2	26807	RH BAG SIDE-FRAME,	1,000
3	26009	BAG FRONT CROSS-BAR	1,000
4	26010	BAG CROSS-BAR	1,000
5	26810	PRIMARY HINGE	1,000
6	26005	PRIMARY SHAFT	1,000
7	26012	LOWER BRACE HALF	1,000
8	26013	UPPER BRACE HALF	1,000
9	26018	BAG SIDE HOOP	1,000
10	26003	UPPER PLATE	1,000
11	26004	SECONDARY SHAFT	1,000
12	26050	BAG	1,000
15	26058	MALE SPHERICAL NIPP	1,000
16	26028	HINGE	1,000
17	71114	ALUMINUM NAIL RIVET	1,000
18	26034	COUNTER-HINGE	1,000
19	26027	GRASSBOX CAP	1,000
20	25416	SLEEVE PA 66 26/20X	1,000
21	37561	NUT	1,000
22	71058	SLOTTED SCREW,DIN 9	1,000
23	5399	BOLT M5X40	1,000
24	71128	SCREW TFCR M5X16	1,000
25	71013	SPIRAL PIN,DIN 1481	1,000
26	71040	COTTER PIN,DIN 94 S	1,000
40	26812	RH LEVER (MANUAL)	1,000
41	26813	LH LEVER (MANUAL)	1,000
42	71079	YOKE DIN 71751 6X34	1,000
43	26035	GAS JACK (MANUAL)	1,000
44	26036	PROTECTIVE CAP	1,000

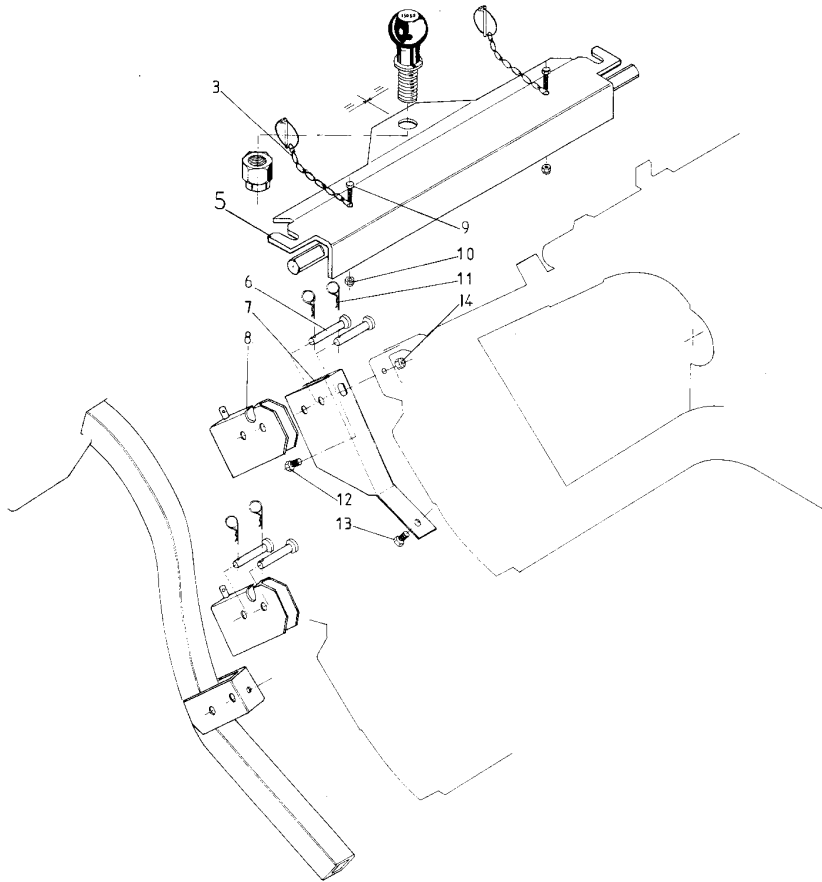


Number	Part Number	Name	Quantity
1	25924	COUNTERWEIGHT	1,000
2	24615	BUTTON (BIG)	1,000
3	26075	DEFLECTOR	1,000
4	26059	GRASSBOX COVER WHITE	1,000
5	71113	NAIL RIVET, DIA. 4X	1,000
6	71120	RIVET BRIV 0 4,8	1,000
7	25878	CUP 31/36	1,000
8	26056	COVER FASTENER	1,000
9	26025	BAG COVER REST	1,000
10	25886	17/20 CUP	1,000
11	5340	HEXAGON SCREW,DIN 9	1,000
12	26760	LH COUNTERWEIGHT SU	1,000
13	26761	RH COUNTERWEIGHT SU	1,000
14	70086	HEXAGON SCREW,DIN 9	1,000
15	9017	NUT HM10	1,000
16	12048	STICKER 26*4	1,000
17	20681	ENGINE GUDGEON	1,000
18	7377	TRUARC COLLAR DIN 7	1,000
19	2020	NUT HM8	1,000
20	25901	30 SQUARE END	1,000
21	26755	BUMPER, COMPLETE	1,000
22	7335	WASHER	1,000
23	71205	SCREW M8	1,000
24	26076	DEFLECTOR MOUNTING	1,000
25	26080	DEFLECT. BOW MOD.91	1,000
26	29647	CAP DIA.30	1,000
27	7369	HANDLE	1,000
28	71044	CAP SCREW,DIN 912-8	1,000
29	22029	FLAT WASHER 6,5	1,000
30	71201	NUT M6	1,000
31	21687	HEXAGON SCREW,DIN 9	1,000
32	26078	DEFLECTOR HANDLE	1,000
33	26085	DEFLECTOR STOP	1,000
34	5486	BOLT HM 4X30	1,000
35	21525	NUT HM4	1,000
36	7094	FLAT WASHER	1,000
37	26072	REINFORCEMENT PLATE	1,000

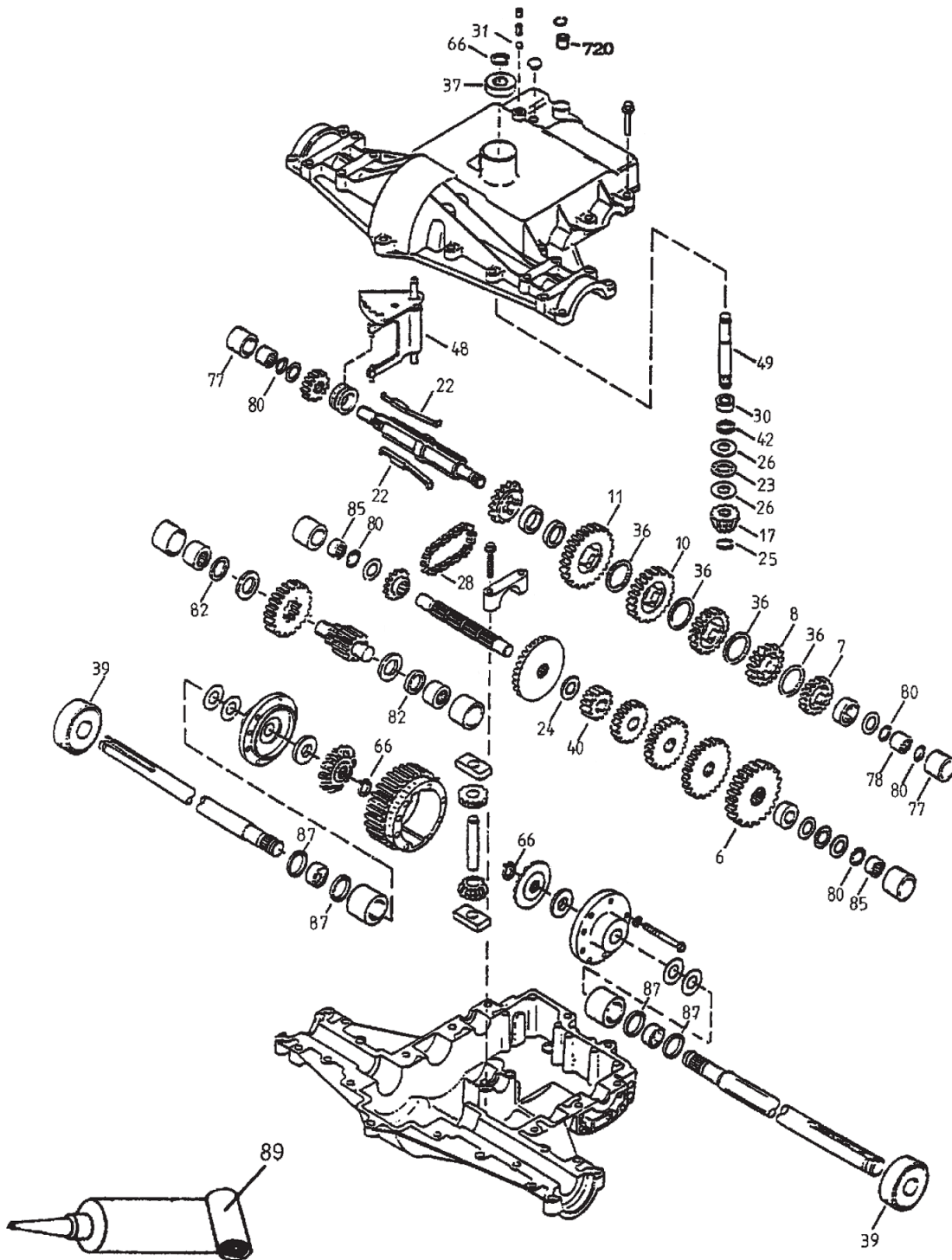


M10

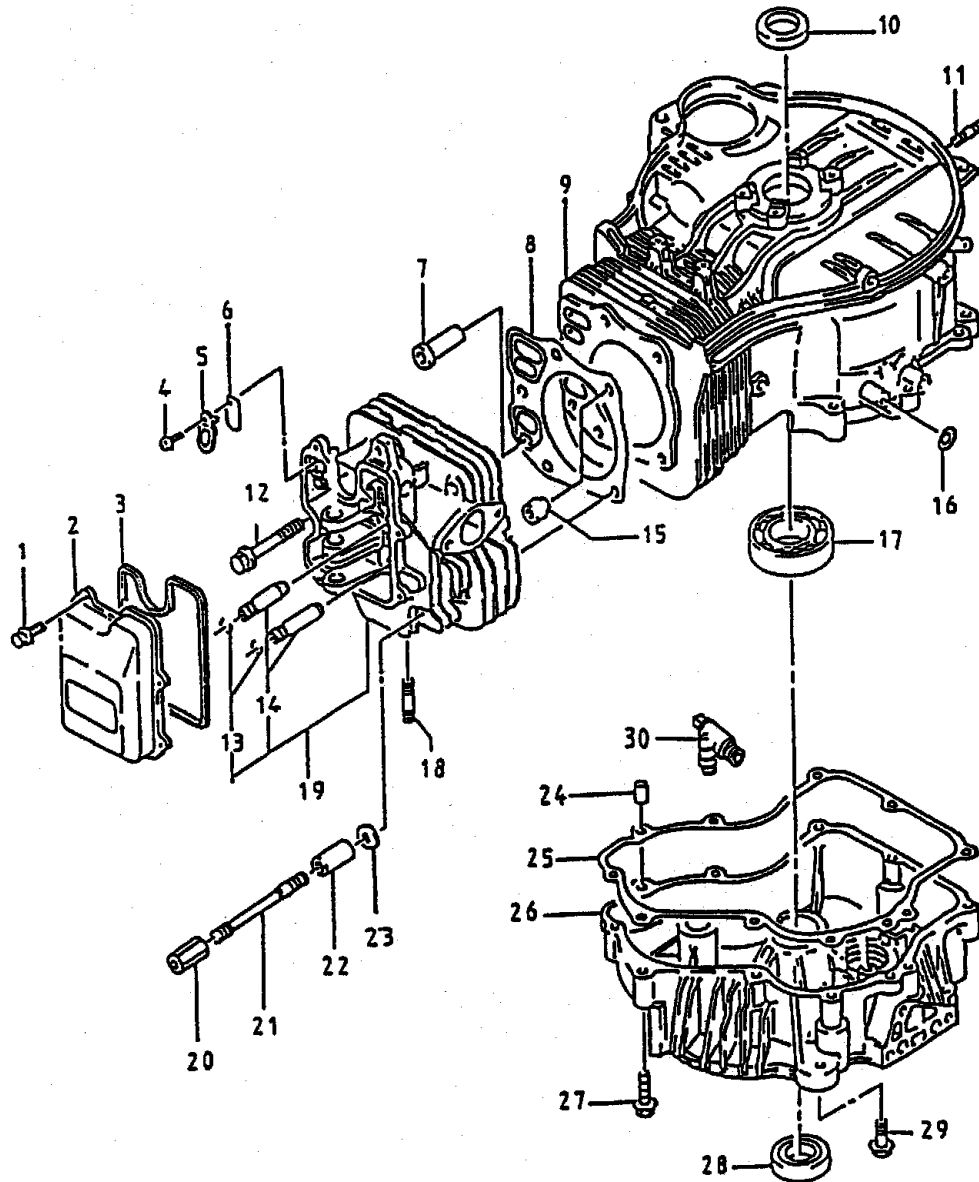
Number	Part Number	Name	Quantity
1	27117	MALE SPHERICAL END	1,000
2	26070	RIGHT-ANGLE END	1,000
3	26066	1010 MM HOSE	1,000
4	26067	1250 MM HOSE	1,000
5	71018	V3,2 SPLIT PIN	1,000
6	26057	MOUNTING YOKE	1,000
7	26052	HYDRAULIC RAM	1,000
8	71003	TYPE B10X45 SHAFT	1,000
9	21036	FLAT WASHER 10.5	1,000
10	71413	SCREW HM 8-20	1,000
11	71343	SPRING WASHER A8	1,000
12	26069	T-UNION	1,000
13	5020	CHC M6X10 SCREW	1,000
14	26053	ELECTRIC PUMP	1,000
15	26063	PUMP MOUNTING PLATE	1,000
16	26065	1170 MM HOSE	1,000
17	26064	935 MM HOSE	1,000
18	26068	FILLING CAP	1,000
19	71111	TAPPING SCREW,DIN 7	1,000
20	26071	STRAIGHT END	1,000
21	26055	CUP 21/25	1,000
22	20597	CABLE SLEEVE	1,000
23	21119	COLLAR 260 MM	1,000
24	71205	SCREW M8	1,000
26	26060	T CONNECTOR	1,000
27	29592	2L HV46 OIL CAN	1,000



Number	Part Number	Name	Quantity
3	28075	SAFETY PIN & CHAIN	1,000
5	26772	CP TOW BAR	1,000
6	25916	A1 LOCKING SHAFT	1,000
7	25919	INTERMEDIATE SHEET	1,000
8	26771	-> 54526	1,000
9	37996	SCREW HM5-16 8.8	1,000
10	37561	NUT	1,000
11	27066	PIN	1,000
12	70086	HEXAGON SCREW,DIN 9	1,000
13	71413	SCREW HM 8-20	1,000
14	9017	NUT HM10	1,000

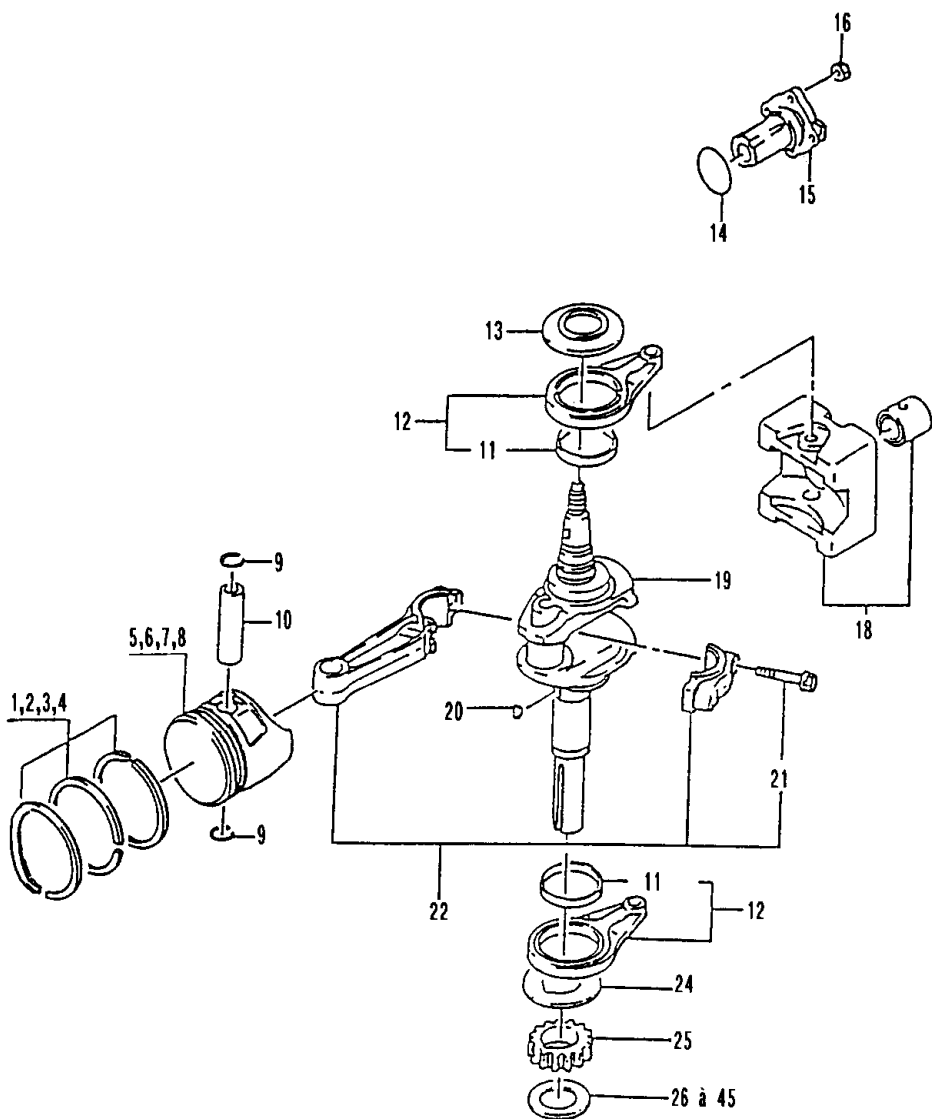


Number	Part Number	Name	Quantity
6	4505	GEAR 30 T	1,000
7	4506	SPROCKET 20 TEETH	1,000
8	4507	GEAR 25 T	1,000
10	4509	GEAR 34 T	1,000
11	4510	GEAR 37 T	1,000
17	4516	CONICAL GEAR 13	1,000
22	4521	KEY	1,000
23	4522	KEY-STOP	1,000
24	4523	WASHER	1,000
25	4524	CIRCLIP	1,000
26	4525	WASHER	1,000
28	4527	CHAIN	1,000
30	4529	BEARING STUD	1,000
31	4440	BALL	1,000
36	4443	WASHER	1,000
37	4537	BEARING	1,000
39	4539	BEARING	1,000
40	4540	GEAR K T	1,000
42	4542	SEAL	1,000
48	4548	FORK	1,000
49	4549	SHAFT	1,000
66	4557	CIRCLIP	1,000
77	4565	BUSH	1,000
78	4566	NEEDLE BUSCH	1,000
80	4450	SEAL	1,000
82	4570	SEAL	1,000
85	4573	NEEDLE BEARING	1,000
87	4575	SEAL	1,000
89	4583	GREASE DOSE	1,000
720	4577	SEAL	1,000

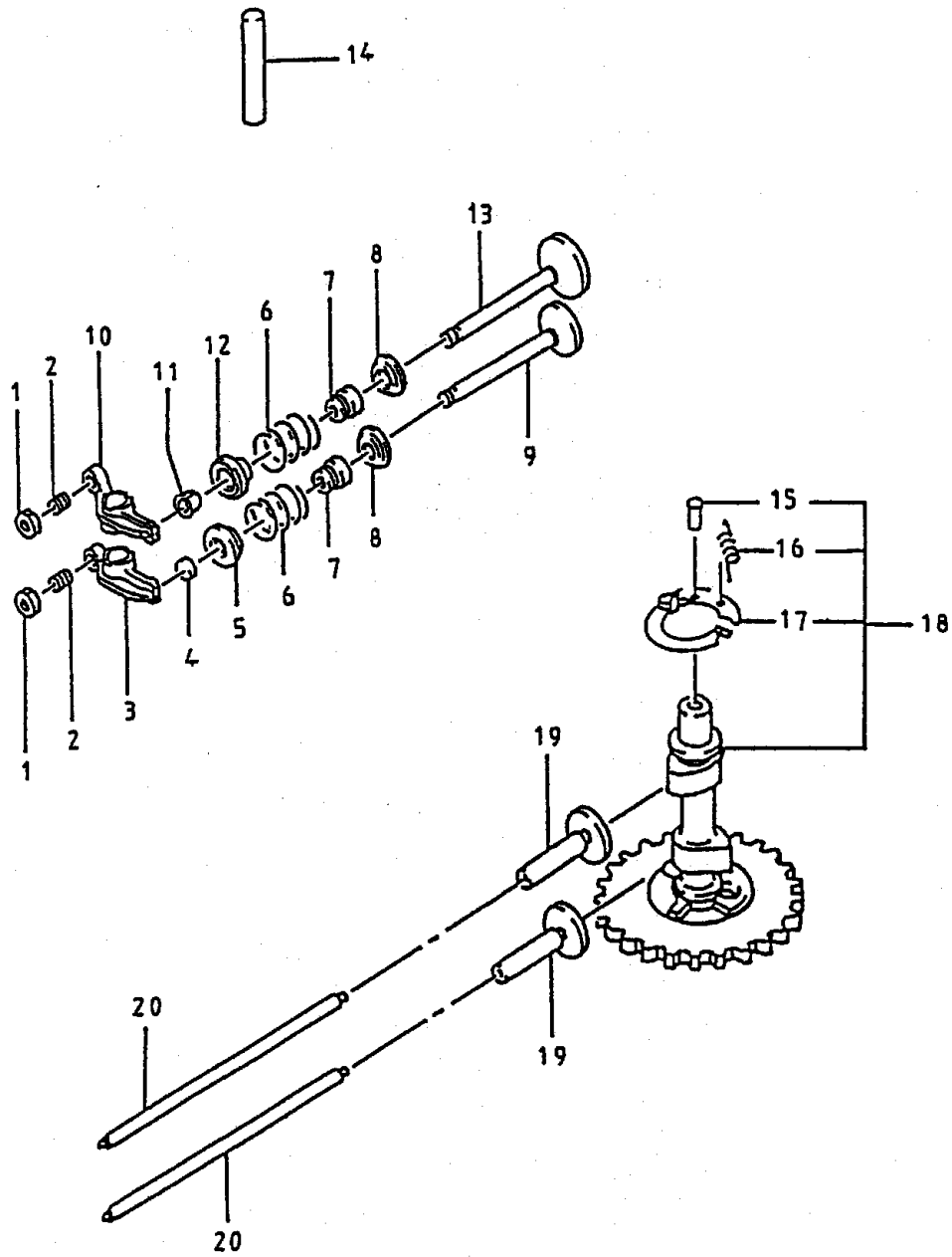


Number	Part Number	Name	Quantity
1	15601	SCREW	1,000
2	15602	CYLINDER HEAD COVER	1,000
3	15603	GASKET	1,000
4	15604	SCREW	1,000
5	15605	PLATE	1,000
6	15606	VALVE SPRING	1,000
7	15607	BACK PRESSURE VALVE	1,000
8	15608	CYLINDER HEAD GASKE	1,000
9	15609	ENGINE CRANKCASE	1,000
10	15610	GASKET	1,000
12	15612	SCREW	1,000
13	15613	CLIP	1,000
14	15614	VALVE GUIDE	1,000
15	15615	CENTRING STUD	1,000
16	15616	GASKET	1,000
17	15617	BALL BEARING	1,000
18	15618	PIN	1,000
19	15619	CYLINDER HEAD, COMP	1,000
20	15620	NUT	1,000
21	15630	STUD	1,000
21	15611	PIN	1,000
22	15621	PIN	1,000
23	15622	WASHER	1,000
24	15623	CENTRING STUD	1,000
25	15624	CRANKCASE GASKET	1,000
26	15625	LOWER CRANKCASE HAL	1,000
27	15626	SCREW	1,000
28	15627	GASKET	1,000
29	15628	SCREW	1,000
30	25269	WASTE OIL TAP	1,000

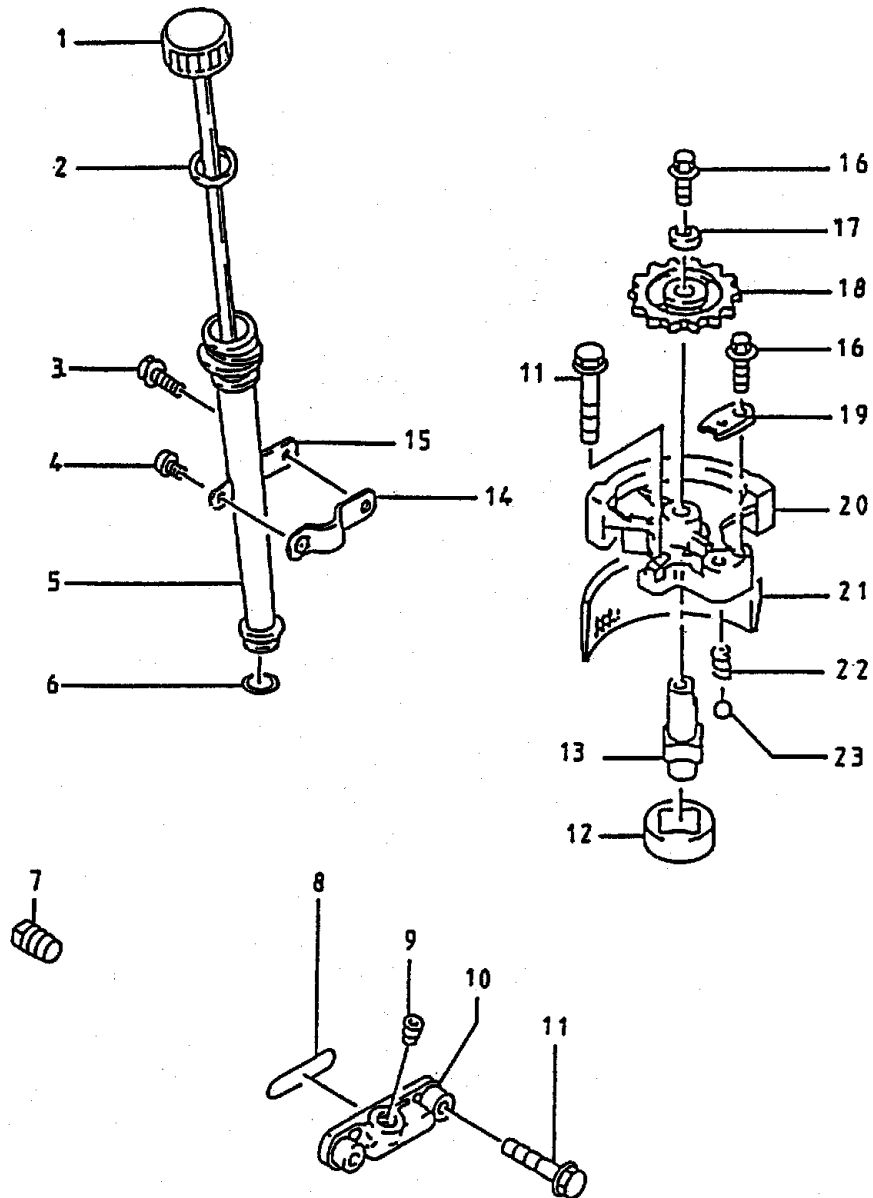
70.01



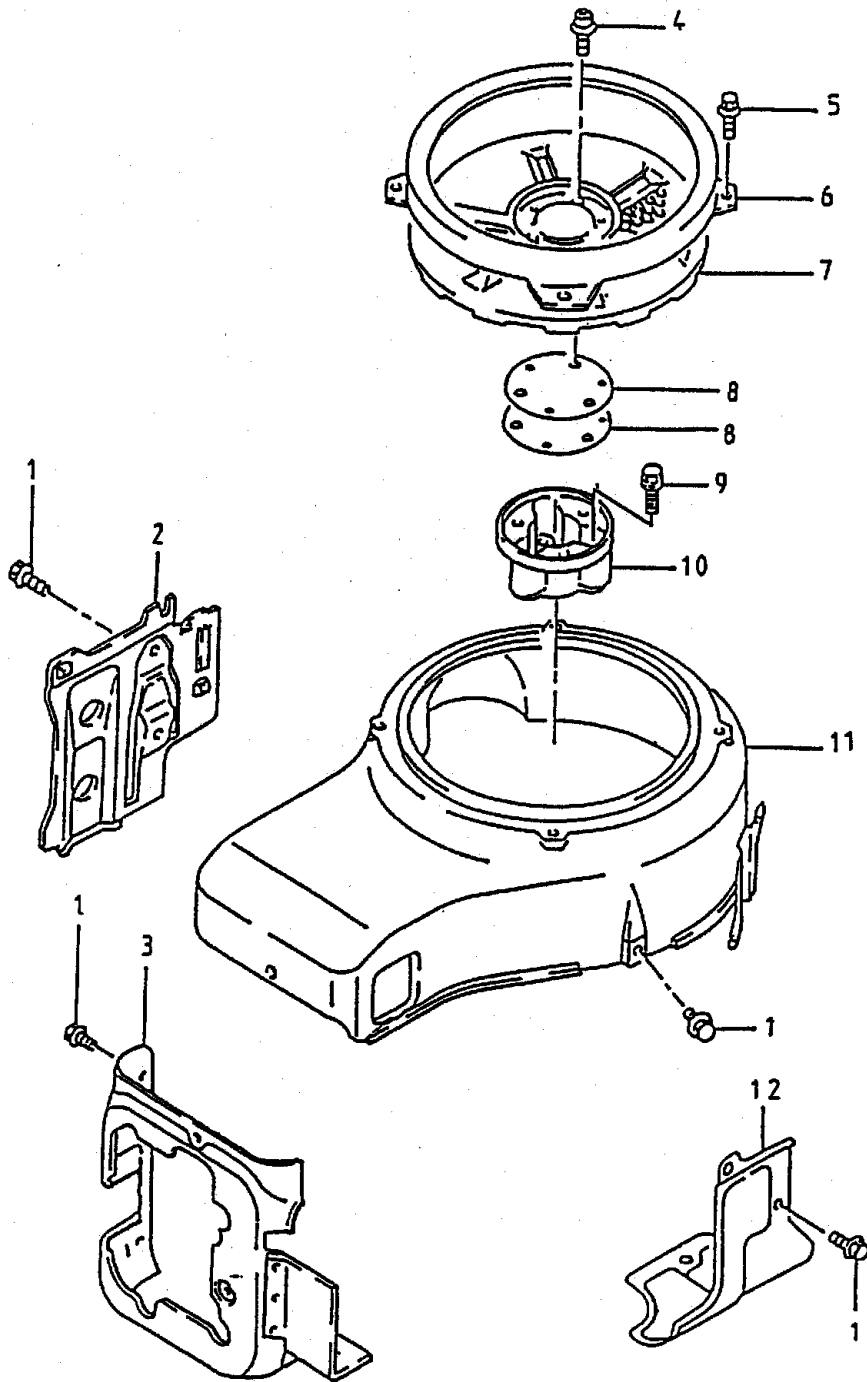
Number	Part Number	Name	Quantity
1	15631	PISTON RINGS, SET O	1,000
2	15632	0,25 PISTON RINGS,	1,000
3	15633	0,5 PISTON RINGS, S	1,000
4	15634	0,75 PISTON RINGS,	1,000
5	15635	PISTON	1,000
6	15636	0,25 PISTON	1,000
7	15637	0,5 PISTON	1,000
8	15638	0,75 PISTON	1,000
9	15639	STOP CLIP	1,000
10	15640	PISTON PIN	1,000
11	15641	BEARING	1,000
12	15642	ROD	1,000
13	15643	SPACER	1,000
14	15688	O-RING	1,000
15	15645	GUIDING TRUNNION	1,000
16	15646	NUT	1,000
18	15648	COUNTERWEIGHT	1,000
19	15649	CRANKSHAFT	1,000
20	15650	KEY	1,000
21	15651	SCREW	1,000
22	15652	CONNECTING ROD ASSY	1,000
24	15654	SEPARATING WASHER	1,000
25	15655	HELICAL PINION	1,000
26	15882	1,775 SHIM	1,000
28	15657	1,18 SHIM	1,000
29	15866	1,215 SHIM	1,000
30	15867	1,25 SHIM	1,000
31	15868	1,285 SHIM	1,000
32	15869	1,32 SHIM	1,000
33	15870	1,355 SHIM	1,000
34	15871	1,39 SHIM	1,000
35	15872	1,425 SHIM	1,000
36	15873	1,46 SHIM	1,000
37	15874	1,495 SHIM	1,000
38	15875	1,53 SHIM	1,000
39	15876	1,565 SHIM	1,000
40	15877	1,6 SHIM	1,000
41	15878	1,635 SHIM	1,000
42	15879	1,67 SHIM	1,000
43	15880	1,705 SHIM	1,000
44	15881	1,74 SHIM	1,000



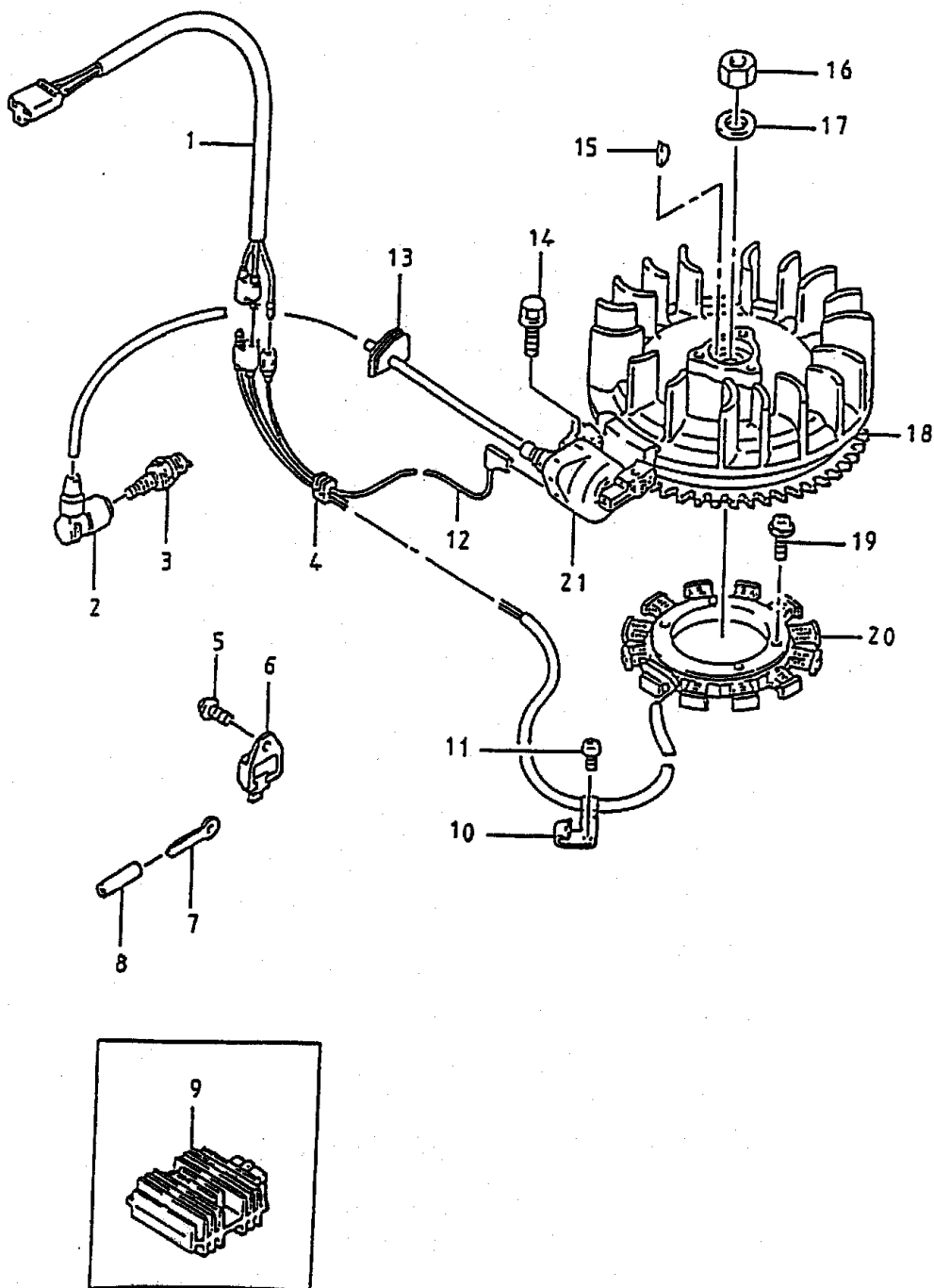
Number	Part Number	Name	Quantity
1	15661	NUT	1,000
2	15662	SCREW	1,000
3	15663	ROCKER ARM	1,000
4	15664	PELLET	1,000
5	15665	STOP CUP	1,000
6	15666	VALVE SPRING	1,000
7	15667	GASKET	1,000
8	15668	THRUST WASHER	1,000
9	15669	EXHAUST VALVE	1,000
10	15670	ROCKER ARM	1,000
11	15671	COLLAR	1,000
12	15672	STOP CUP	1,000
13	15673	INLET VALVE	1,000
14	15674	ROCKER ARM SHAFT	1,000
15	15675	SHAFT	1,000
16	15676	SPRING	1,000
17	15677	DECOMPRESSOR	1,000
18	15678	CAMSHAFT COMPLETE	1,000
19	15679	VALVE LIFTER	1,000
20	15680	PUSH ROD	1,000



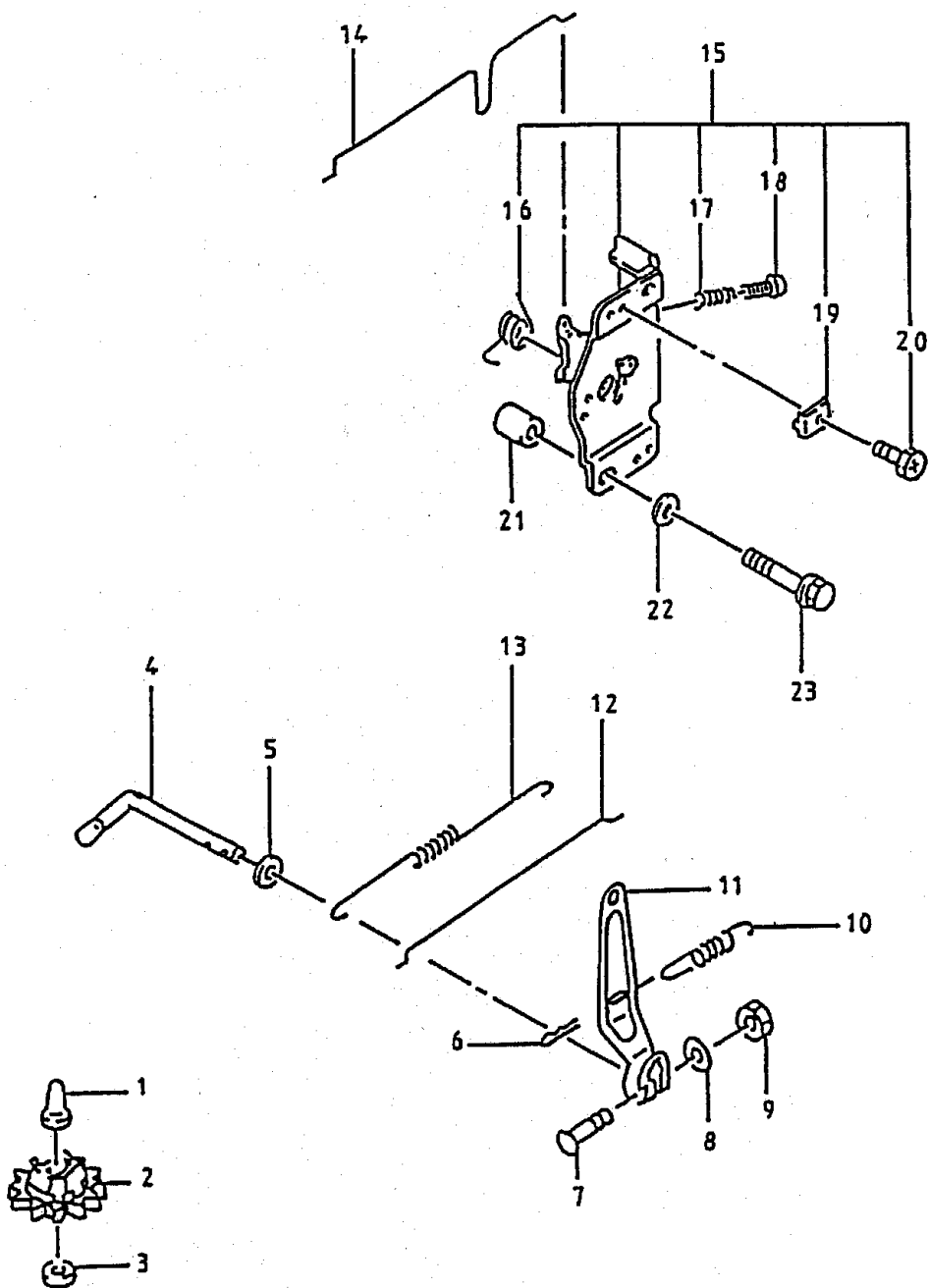
Number	Part Number	Name	Quantity
1	15681	OIL GAUGE	1,000
2	15682	GASKET	1,000
3	15601	SCREW	1,000
4	15684	SCREW	1,000
5	15685	FILLING TUBE	1,000
6	15686	O-RING	1,000
7	17562	PLUG	1,000
8	15688	O-RING	1,000
9	15689	PLUG-SCREW	1,000
10	15690	SUPPORT	1,000
11	15691	SCREW	1,000
12	15692	PUMP BODY	1,000
13	15693	PUMP SHAFT	1,000
14	15694	CUP	1,000
15	15695	CUP	1,000
16	15696	SCREW	1,000
17	15697		1,000
18	15698	HELIX PINION	1,000
19	15699	THRUST PLATE	1,000
20	15700	PUMP COVER	1,000
21	15701	FILTER SCREEN	1,000
22	15702	SPRING	1,000
23	15703	STEEL BALL	1,000



Number	Part Number	Name	Quantity
1	17726	SCREW	1,000
2	15707	SIDE COVER	1,000
3	15708	FRONT COVER	1,000
4	15709	SCREW	1,000
5	15696	SCREW	1,000
6	15711	CASE	1,000
7	15712	SCREEN	1,000
8	15713	DISK	1,000
9	15714	SCREW	1,000
10	15715	DISK SUPPORT	1,000
11	15716	EXHAUST CASING	1,000
12	15717	LH SIDE COVER	1,000

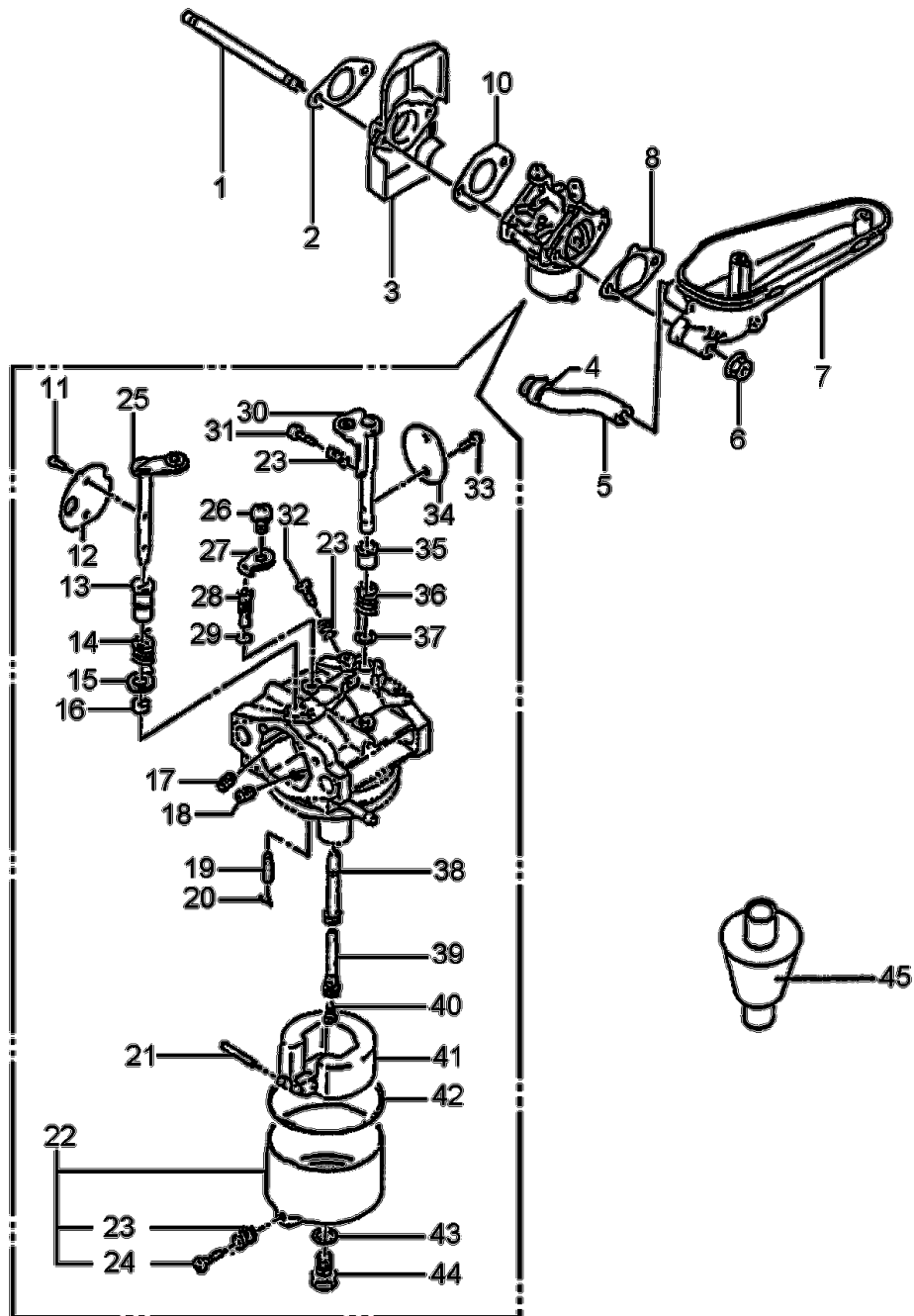


Number	Part Number	Name	Quantity
1	15721	WIRE HARNESS	1,000
2	15722	SPARK PLUG CAP	1,000
3	3861	SPARK PLUG D.14X19R	1,000
4	15724	GROMMET	1,000
5	15725	SCREW	1,000
6	17573	IGNITER	1,000
7	15727	STRIP	1,000
8	15728	TUBE	1,000
9	15729	VOLTAGE REGULATOR	1,000
10	15730	CUP	1,000
11	15604	SCREW	1,000
12	15732	LOAD WIRE	1,000
13	15733	GROMMET	1,000
14	15734	SCREW	1,000
15	15650	KEY	1,000
16	15736	NUT	1,000
17	15737	WASHER	1,000
18	15738	IGNITION FLYWHEEL	1,000
19	15739	SCREW	1,000
20	15740	GENERATOR,ALTERNATI	1,000
21	15723	COIL	1,000



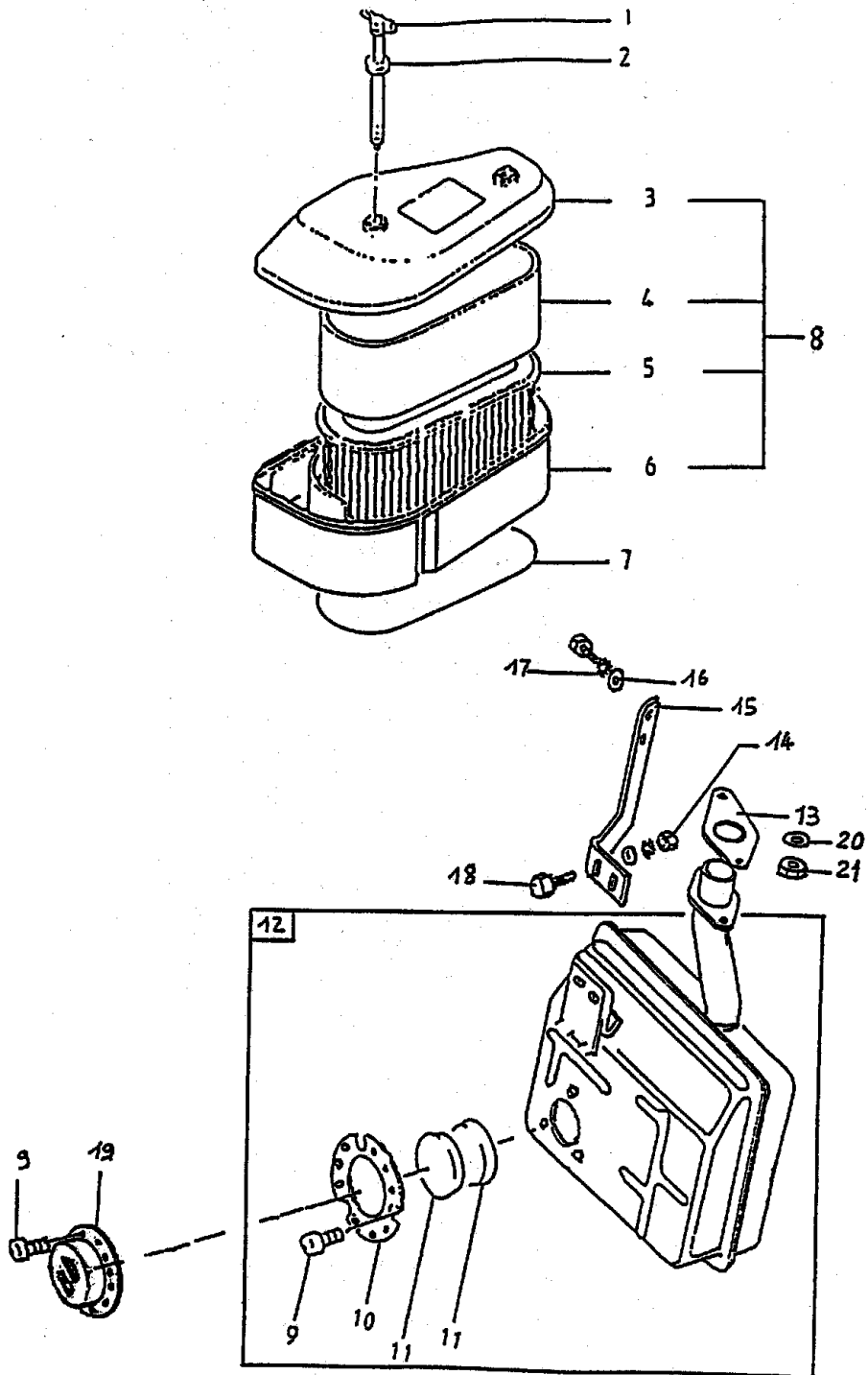
Number	Part Number	Name	Quantity
1	15741	TEAT-SCREW	1,000
2	15742	REGULATOR ASSY	1,000
3	15360	FLAT WASHER	1,000
4	15743	ANGLE TUBE	1,000
5	15359	WASHER	1,000
6	15358	COTTER PIN	1,000
7	15744	BOLT	1,000
8	15340	FLAT WASHER	1,000
9	15339	NUT	1,000
10	15745	REGULATOR SPRING	1,000
11	15746	REGULATOR LEVER	1,000
12	15747	REGULATOR ROD	1,000
13	15748	SPRING	1,000
14	15749	CHOKE ROD	1,000
15	15750	CONTROL PLATE ASSY,	1,000
16	15751	SPRING	1,000
17	15346	SPRING	1,000
18	15347	SCREW	1,000
19	15752	GUARD	1,000
20	15753	SCREW	1,000
21	15754	SEPARATING PIECE	1,000
22	15755	WASHER	1,000
23	15756	SCREW	1,000

82.01

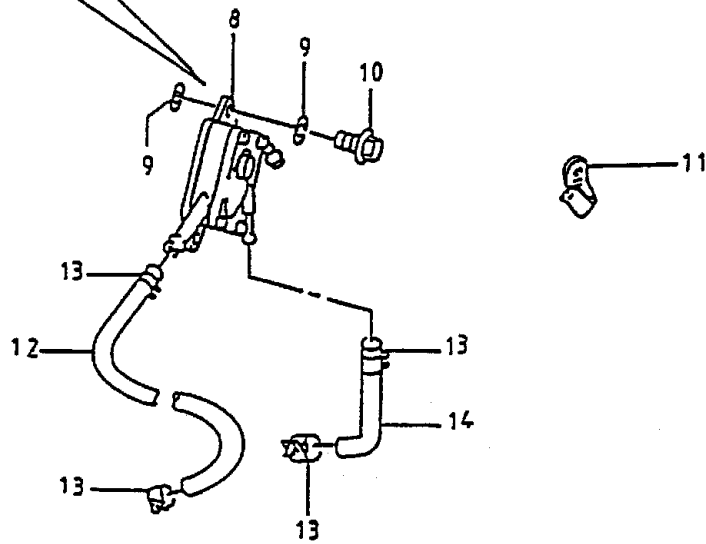
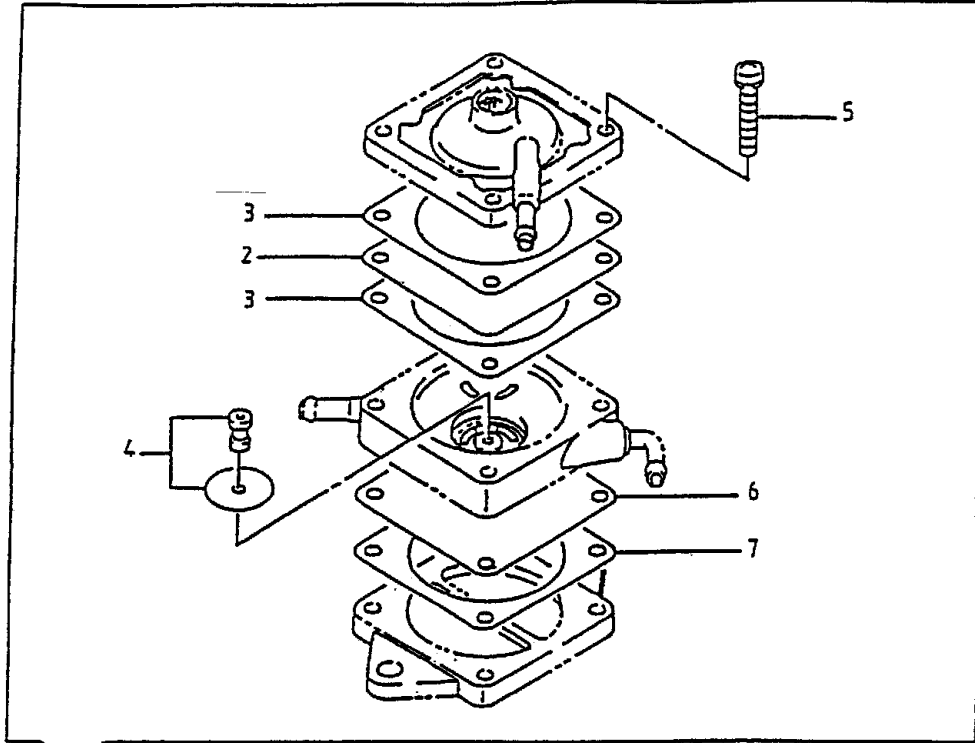


Number	Part Number	Name	Quantity
1	15761	STUD	1,000
2	15762	GASKET	1,000
3	15763	763 INSULATOR	1,000
4	15764	CLAMP	1,000
5	15765	HOSE	1,000
6	15646	NUT	1,000
7	15767	FILTER HOUSING	1,000
8	15768	GASKET	1,000
10	15770	GASKET	1,000
11	15771	SCREW	1,000
12	15772	THROTTLE	1,000
13	15773	RING	1,000
14	15774	SPRING	1,000
15	15775	SEALING WASHER	1,000
16	15776	RING	1,000
17	15777	1,0 JET	1,000
18	15778	1,7 JET	1,000
19	15779	FLOAT SPINDLE	1,000
20	15780	CLIP	1,000
21	15781	FLOAT SHAFT	1,000
22	15782	FLOAT CHAMBER	1,000
23	15783	SPRING	1,000
24	15784	BLEED SCREW	1,000
25	15785	CHOKE THROTTLE SHAF	1,000
26	15786	SCREW	1,000
27	15787	STOP PLATE	1,000
28	15788	IDLING JET	1,000
29	15789	GASKET	1,000
30	15790	ACCELERATOR THROTTL	1,000
31	15791	SCREW	1,000
32	15792	MIXTURE CONTROL SCR	1,000
33	15793	SCREW	1,000
34	15794	ACCELERATOR THROTTL	1,000
35	15795	RING	1,000
36	15796	SPRING	1,000
37	15797	SEALING WASHER	1,000
38	15798	CHOKE TUBE	1,000
39	15799	JET SUPPORT	1,000
40	15800	MAIN JET	1,000
41	18262	CARBURET.AK85 FC420	1,000
42	15802	GASKET	1,000

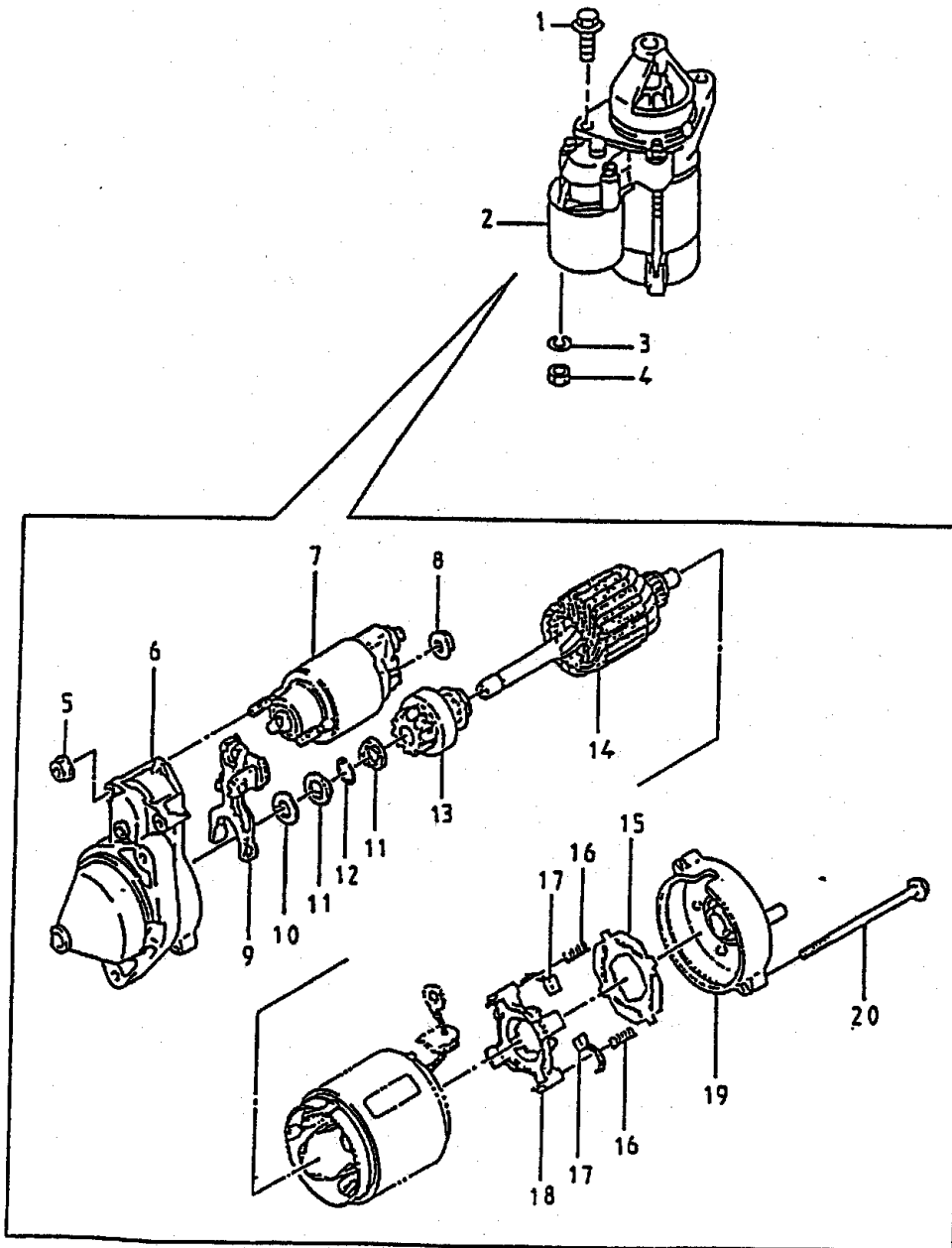
Number	Part Number	Name	Quantity
43	15803	WASHER	1,000
44	15804	SCREW	1,000
45	25266	FILTER FUEL	1,000



Number	Part Number	Name	Quantity
1	15811	SCREW	1,000
2	15812	BRIGGS PARKING SIGN	1,000
3	15813	AIR FILTER COVER	1,000
4	15814	PREFILTER	1,000
5	15815	CARTRIDGE	1,000
6	15816	FILTER BODY	1,000
7	15817	GASKET	1,000
8	15818	FILTER, COMPLETE	1,000
9	15819	SCREW	1,000
10	15820	FLANGE	1,000
11	15821	SPARK SHIELD	1,000
12	15822	EXHAUST	1,000
13	15823	GASKET	1,000
14	2020	NUT HM8	1,000
15	25276	MOUNTING LUG	1,000
16	7335	WASHER	1,000
17	71343	SPRING WASHER A8	1,000
18	71413	SCREW HM 8-20	1,000
19	25277	EXHAUST DEFLECTOR	1,000
20	15848	SPRING WASHER	1,000
21	15849	HEX NUT	1,000

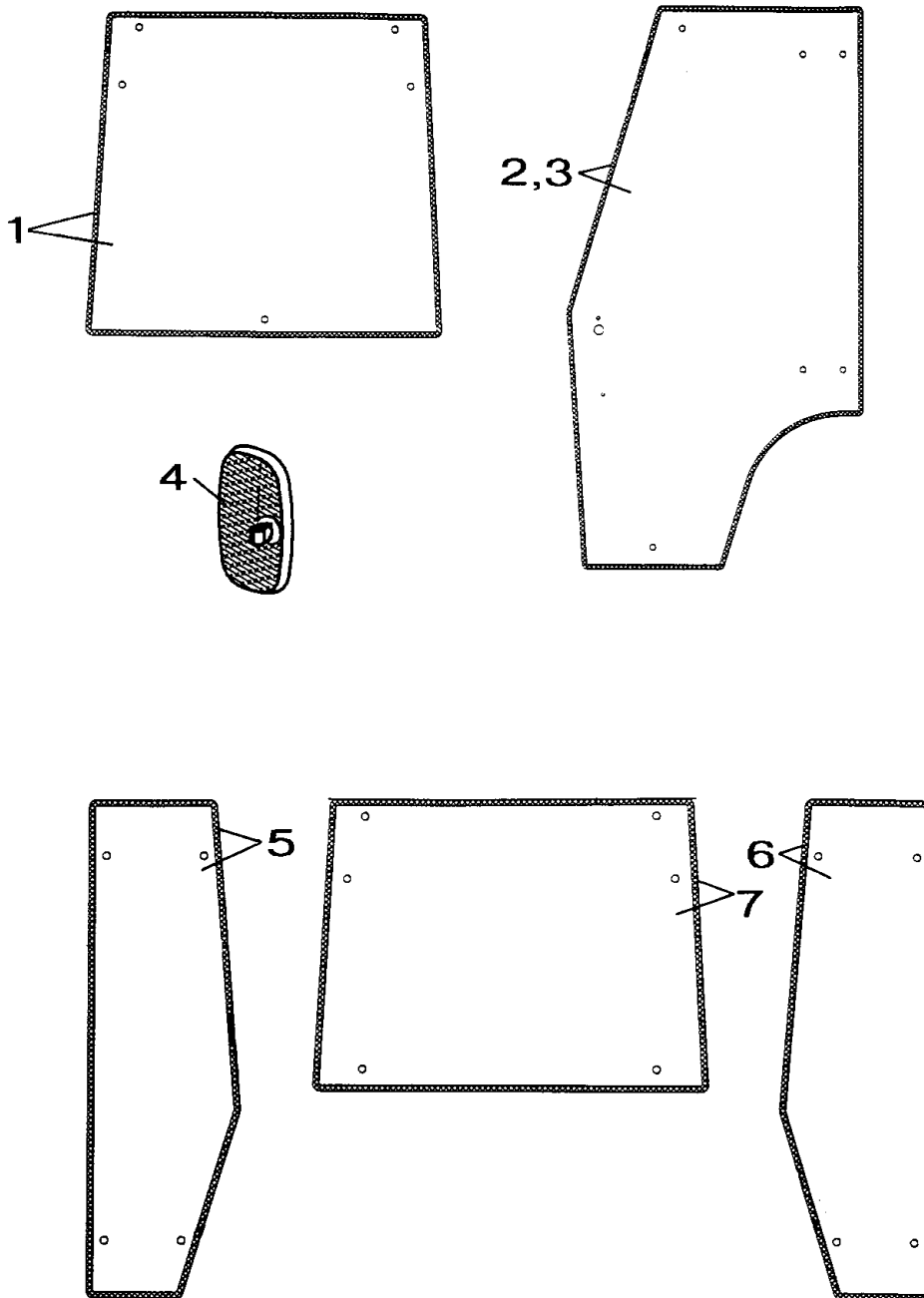


Number	Part Number	Name	Quantity
2	15832	DIAPHRAGM	1,000
3	15833	GASKET	1,000
4	15834	VALVE	1,000
5	15835	SCREW	1,000
6	15836	DIAPHRAGM	1,000
7	15837	GASKET	1,000
8	15838	PETROL PUMP	1,000
9	15839	WASHER	1,000
10	15840	SCREW	1,000
11	15841	CLIP	1,000
12	15842	HOSE	1,000
13	15843	CLAMP	1,000
14	15844	HOSE	1,000



Number	Part Number	Name	Quantity
1	15846	BOLT	1,000
2	15847	EL. STARTER	1,000
3	15848	SPRING WASHER	1,000
4	15849	HEX NUT	1,000
5	15850	NUT	1,000
6	15851	HOUSING COVER	1,000
7	15852	SOLENOID	1,000
8	15853	NUT	1,000
9	15854	CONTROL YOKE	1,000
10	15855	WASHER	1,000
11	15856	RING	1,000
12	15857	CIRCLIP	1,000
13	15858	INPUT PINION	1,000
14	15859	ROTOR	1,000
15	15860	INSULATOR	1,000
16	15861	SPRING	1,000
17	15862	CARBON BRUSH	1,000
18	15863	BRUSH HOLDER	1,000
19	15864	HOUSING BOTTOM	1,000
20	15865	BOLT	1,000

50.01



Number	Part Number	Name	Quantity
1	25481	FR.GLASS+ENCLOSURE	1,000
2	25482	R.DOOR GLASS+ENCLOS	1,000
3	25483	L.DOOR GLASS+ENCLOS	1,000
4	25487	MIRROR	1,000
5	25484	L.REAR GLASS+ENCLOS	1,000
6	25485	R.REAR GLASS+EINFAS	1,000
7	25486	REAR GLASS+ENCLOSUR	1,000